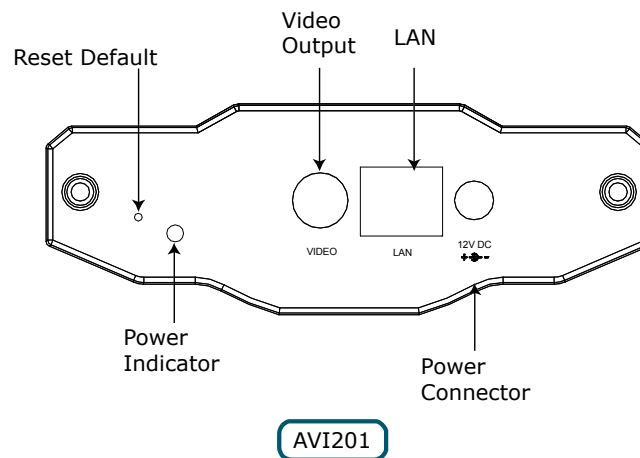
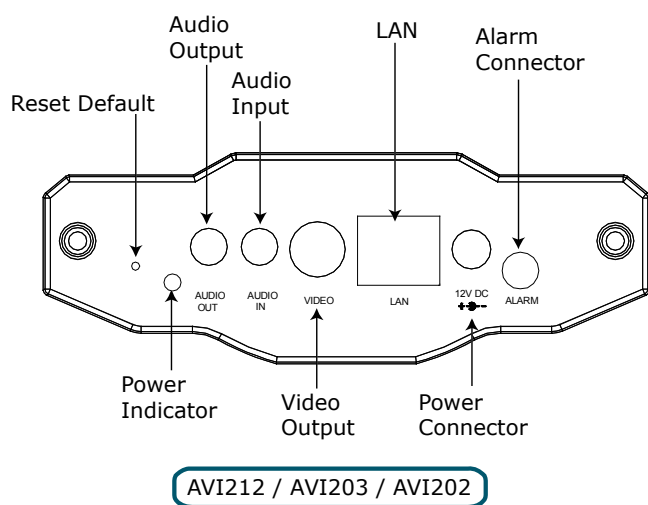


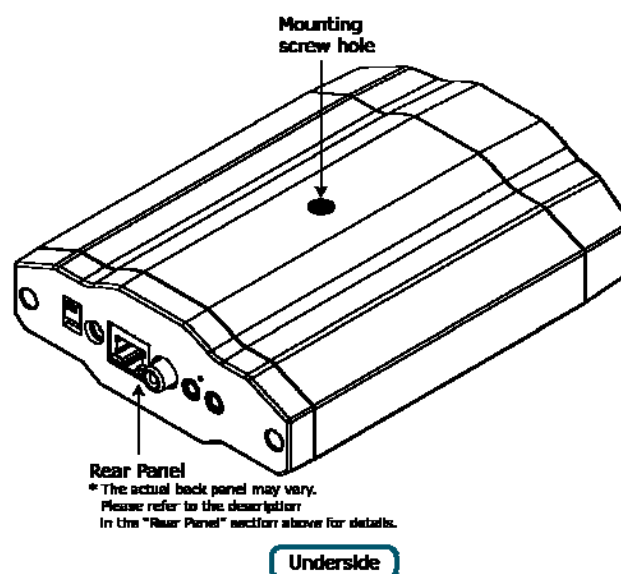
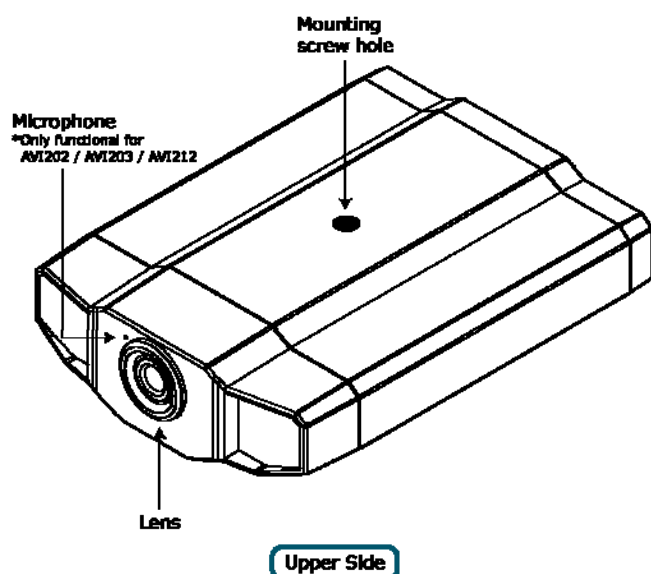
1. HARDWARE OVERVIEW

1.1 Rear Panel



CONNECTOR / BUTTON	DESCRIPTION
Reset Default	This button is hidden in the pinhole. Press and hold the reset button until the network camera rebooted. This will reset all parameters, including the IP address to factory default settings.
Power Indicator	When the camera is power-supplied, this indicator will be on as red.
Audio Output (AVI202 / AVI203 / AVI212 only)	Support the connection to an audio device, such as a speaker, for voice transmission of the remote side.
Audio Input (AVI202 / AVI203 / AVI212 only)	Support the connection to an audio device, such as a microphone, for voice transmission of the local side.
Video Output	Connect to the video input connector of your monitor with a video cable (i.e. a RCA line with the BNC connector, or a coaxial line) for video output. * The video cable is optional.
LAN	Connect the camera to the network with the supplied RJ45 cable.
Power Connector	Connect the DC 12V adapter for power supply.
Alarm Connector (AVI202 / AVI203 / AVI212 only)	Support the connection to an alarm device for function scalability.

1.2 Upper Side & Underside



1.3 Package Contents

- | | |
|--|---|
| <input type="checkbox"/> Network camera | <input type="checkbox"/> Quick user guide |
| <input type="checkbox"/> Adapter and power cord (optional) | <input type="checkbox"/> CD-ROM disc for user manual & licensed software "Video Viewer" |
| <input type="checkbox"/> Bracket | |
| <input type="checkbox"/> RJ45 network cable (optional) | |

2. INSTALLATION

2.1 Install the Hardware

This camera can be installed in two ways: ceiling-mounted and desktop. During the installation, please make sure the upper side of the camera is always facing up, as shown in Figure 1 below, regardless of which installation way you're using. This is to ensure the video output won't be up side down.

Note: The illustrations below are based on the ceiling-mounted installation.

Note: For the detailed cable connection, please refer to the section "Rear Panel".

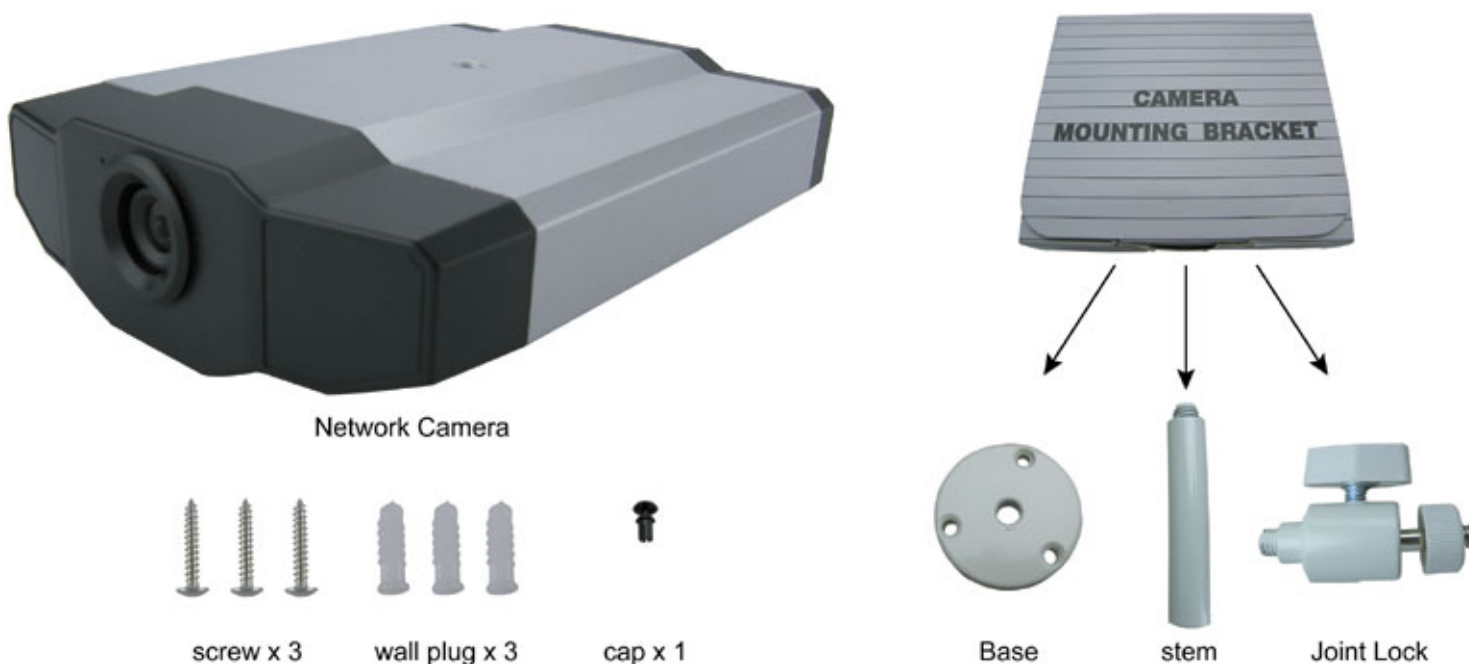
Tool needed: Power drill x 1 (not supplied within the sales package)

1. Prepare all the parts needed for camera installation.

Find the network camera, bracket package, a bag of screws & wall plugs, and a cap supplied with the sales package, as shown in Figure 1.

Unpack the bracket package to find the bracket disassembled into three parts: the base, stem and joint lock.

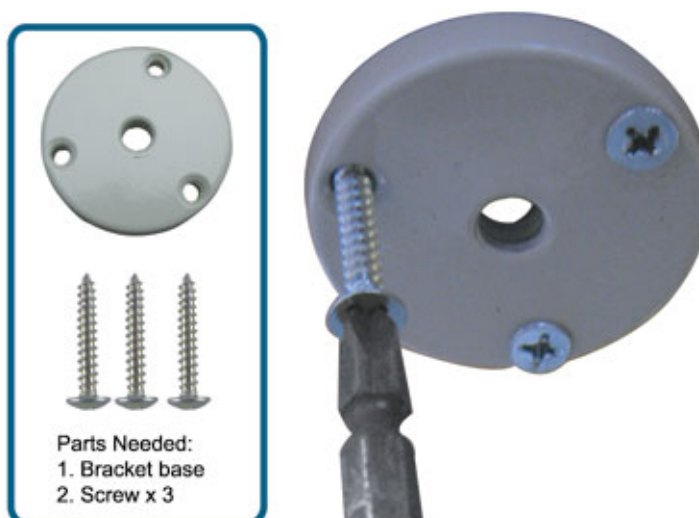
Figure 1: Parts needed for camera installation



2. Fix the base of the bracket.

Fix the base of the bracket with the supplied 3 screws to the place you want to install by using a power drill.

Figure 2: Screw the base to the ceiling



3. Assemble the bracket:
 - a). Align the stem with the central hole of the base, and rotate it to secure, as shown in Figure 3.
 - b). Align the joint lock with the stem, and rotate it to secure, as shown in Figure 4.

Figure 3: Connect the stem to the base



Figure 4: Connect the joint lock to the stem



4. Connect the camera to the bracket.

Ceiling-mounted:
With the upper side of the camera facing up, align the mounting screw hole on the upper side with the screw thread of the joint lock, and rotate the camera to secure, as shown in Figure 4.

Desktop:
With the upper side of the camera facing up, align the mounting screw hole on the underside with the screw thread of the joint lock, and rotate the camera to secure.

Figure 4: Connect the camera to the bracket

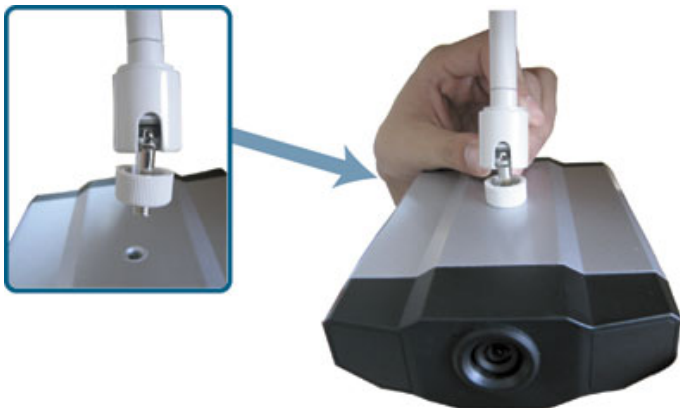


Figure 5: Insert the cap to the camera

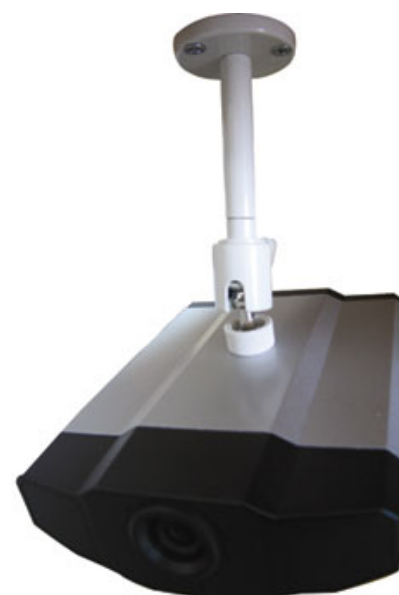


5. Insert the cap to the other mounting screw hole of the camera.

Ceiling-mounted:
Insert the cap to the mounting screw hole on the underside of the camera, as shown in Figure 5.

Desktop:
Insert the cap to the mounting screw hole on the upper side of the camera.
6. Adjust the viewing angle of the camera, and fasten the joint lock to fix the angle. The installation is completed, as shown in Figure 6.

Figure 6: Finish the installation





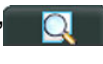


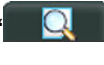

3.2 Assign an IP address and Access the Camera

Step 1. Install the Software

Place the supplied Video Viewer AP software CD into your DVD- / CD-ROM drive. The installation process will automatically start. Follow the on-screen instructions to install the application programs. After installation, a "Video Viewer" shortcut icon will be shown on your PC desktop.

Step 2. Connect the network camera to the Internet access via a RJ-45 network cable.


Step 3. Search the available IP address to login



- Double-click  icon on your PC desktop to enter the Video Viewer control panel. By default, the "Address Book" () panel will be displayed on the right side of the Video Viewer control panel.
- Click  (Search) →  (Refresh) to search the available IP address(es). The found address(es) will be listed, and can be added into the address book by clicking  (Add into address book). For details, please see  (Search) in the user manual.
- Select the IP address you just added into the address book, and click  (Edit) to edit the settings.
- Double-click the IP address in the address book to login.

Note: For detailed network settings under different network types (Static IP / PPPOE / DHCP), please refer to "Network" and "DDNS" in the user manual.

- If you cannot search any available IP address, please follow the instructions below.

Step 4. Add the IP address and other network settings to login

- Double-click  icon on your PC desktop to enter the Video Viewer control panel. By default, the "Address Book" panel will be displayed on the right side of the Video Viewer control panel.
- The default network camera settings are as follows:

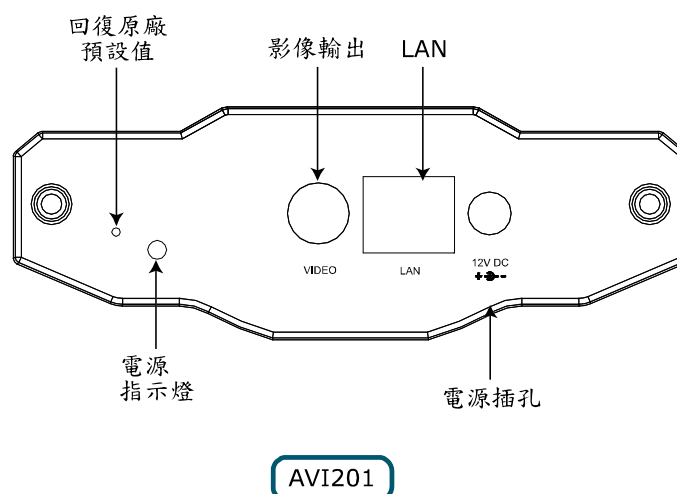
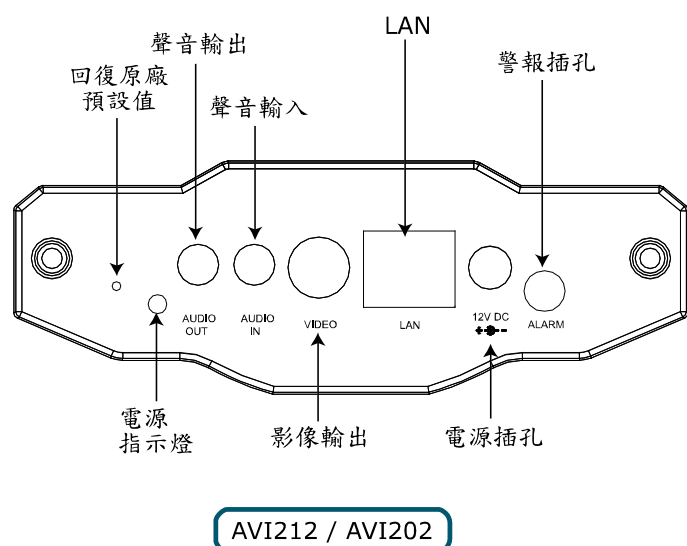
Item	Default Setting
IP Address	192.168.1.10
User Name	admin
Password	admin
Port Number	80
- Click  (Address Book) →  (Add) button to key in the IP address, user name, password, and port number of the network camera you intend to connect.

Item	Default Setting
IP Address	192.168.1.10
User Name	admin
Password	admin
Port Number	80

- Double-click the IP address you just added into the address book to login.

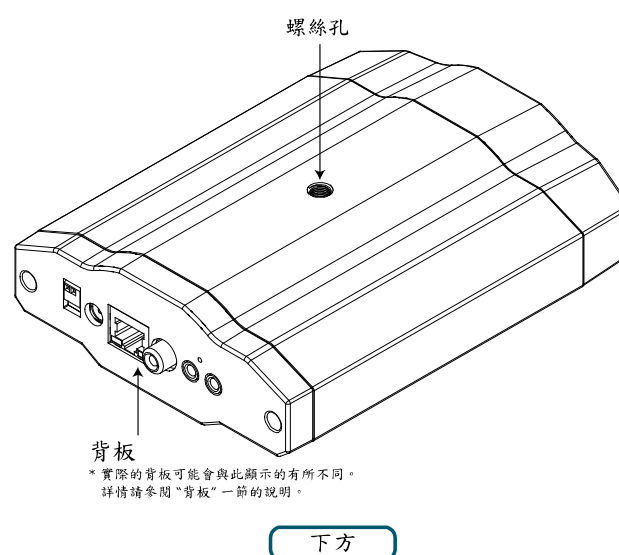
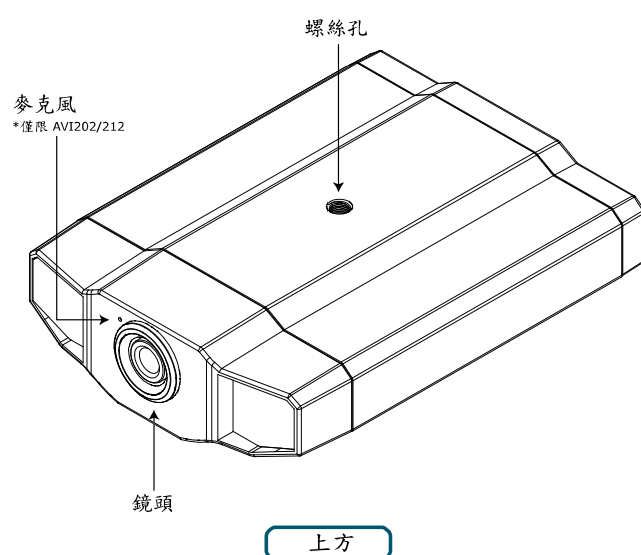
1. 硬體概述

1.1 背板



連接孔 / 按鈕	說明
回復原廠預設值	此按鈕是隱藏在針孔之中。請按住此按鈕，直到網路攝影機重新開機為止。此舉將會重設所有參數回原廠設定值，包括 IP 位址。
電源指示燈	將攝影機上電後，此指示燈會顯示為紅色。
聲音輸出 (僅限 AVI202 / AVI212)	支援到聲音裝置的連接，例如喇叭，以進行遠端聲音傳輸。
聲音輸入 (僅限 AVI202 / AVI212)	支援到聲音裝置的連接，例如麥克風，以進行本機端聲音傳輸。
影像輸出	使用影像傳輸線 (例如有 BNC 接頭的 RCA 線，或者同軸電纜) 連接到螢幕的影像輸入孔，以進行影像輸出。 * 影像傳輸線為選購配備。
LAN	使用隨附的 RJ45 網路線，將攝影機連線上網。
電源插孔	連接到 DC 12V 變壓器來提供電源。
警報插孔 (僅限 AVI202 / AVI212)	支援到警報裝置的連接。

1.2 上方 & 下方



1.3 包裝明細

- | | |
|----------------------------------|---|
| <input type="checkbox"/> 網路攝影機 | <input type="checkbox"/> RJ45 網路線 |
| <input type="checkbox"/> 變壓器與電源線 | <input type="checkbox"/> 快速使用指南 |
| <input type="checkbox"/> 支架 | <input type="checkbox"/> CD-ROM，內含使用手冊和 Video Viewer 軟體 |

2. 安裝

3.1 硬體安裝

本攝影機有兩種安裝方式：吸頂式和桌上式。不論選擇何種安裝方式，請確認攝影機的上方永遠朝上 (如圖 1 所示)，以確保影像輸出不會顛倒。

註：以下安裝圖片皆以吸頂式安裝為範例。

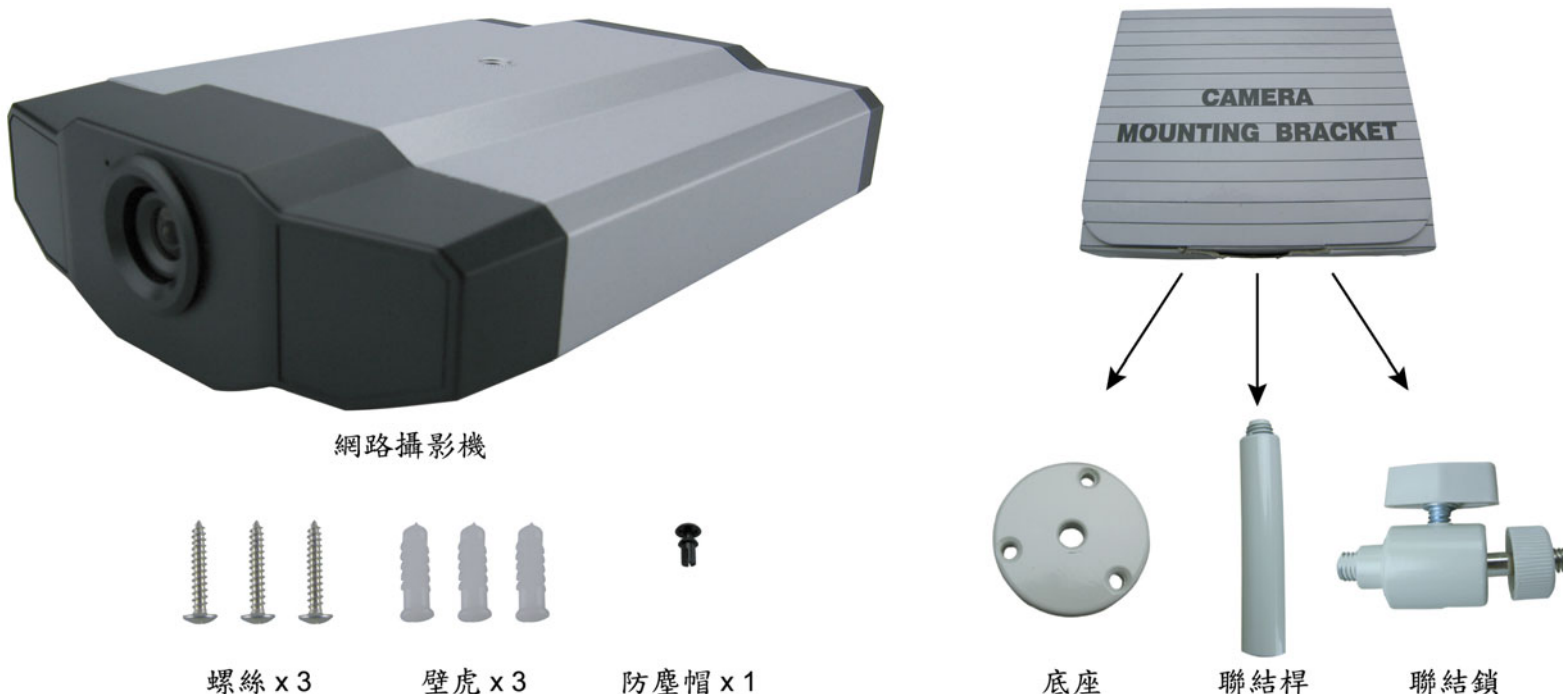
註：如需得知詳細的連接方式，請參閱使用手冊的“硬體概述”一節。

所需工具：電鑽 x 1 (未隨附銷售包裝提供)

1. 備妥安裝攝影機所需的所有組件。

如圖 1 所示，在銷售包裝內找出網路攝影機、支架包裝盒、一包螺絲和壁虎，以及一個防塵帽。打開支架包裝盒後，會看到支架被分解成三個部分：底座、聯結桿和聯結鎖。

圖 1：安裝攝影機所需的組件



2. 鎖住支架底座。

先將支架底座鎖在您要安裝攝影機的位置。

圖 2：將底座鎖到天花板



3. 組合支架：
- 將聯結桿對準底座中間的孔，然後旋轉鎖緊 (如圖 3 所示)。
 - 將聯結鎖對準聯結桿，然後旋轉鎖緊 (如圖 4 所示)。

圖 3：將聯結桿接到底座



圖 4：將聯結鎖接到聯結桿



4. 連接攝影機和支架。

吸頂式：

將攝影機上方的螺絲孔對準聯結鎖的螺紋，然後旋轉鎖緊攝影機 (如圖 4 所示)。

桌上式：

將攝影機下方的螺絲孔對準聯結鎖的螺紋，然後旋轉鎖緊攝影機。

圖 4：連接攝影機和支架

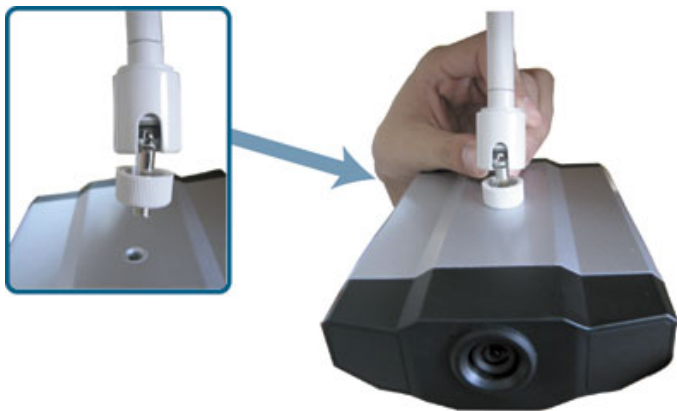


圖 5：插入防塵帽



5. 將防塵帽插入攝影機另一個螺絲孔。

吸頂式：

將防塵帽插入攝影機下方的螺絲孔 (如圖 5 所示)。

桌上式：

將防塵帽插入攝影機上方的螺絲孔。

6. 調整攝影機的監視角度，然後鎖緊聯結鎖固定角度。

圖 6 為安裝完成圖。

圖 6：安裝完成圖



3.2 指定 IP 位址與存取攝影機

步驟 1. 安裝軟體

將隨附的 Video Viewer AP 軟體光碟放到 DVD- / CD-ROM 光碟機中。安裝程序會自動啟動。請遵照螢幕上的指示安裝此軟體。安裝完成後，電腦桌面會出現“Video Viewer”捷徑圖示。

步驟 2. 使用隨附的 RJ45 網路線讓攝影機連線上網


步驟 3. 搜尋可用的 IP 位址進行登入

- 連按兩下桌面上的“”圖示進入 Video Viewer 控制面板。依據預設，Video Viewer 控制面板右側會顯示“Address Book” () 連線位址簿畫面。
- 按一下“” (Search) → “” (Refresh) 搜尋可用的 IP 位址。之後會列出找到的位址。您可以按“” (Add into address book) 將該位址加入連線位址簿。
詳情請參閱使用手冊的“” (Search)。
- 選取您剛加入位址簿的 IP 位址，然後按一下“” (Edit) 編輯相關設定。
- 連按兩下連線位址簿裡的 IP 位址即可進行登入。

註：如需得知不同網路類型 (Static IP / PPPOE / DHCP) 的網路設定資訊，請參閱使用手冊的“Network (網路設定)”和“DDNS”。



- 若找不到可用的 IP 位址，請遵照以下指示進行。

步驟 4. 新增 IP 位址與其他網路設定來進行登入。

- 連按兩下桌面上的“”圖示進入 Video Viewer 控制面板。依據預設，Video Viewer 控制面板右側會顯示“Address Book” 連線位址簿畫面。

- 預設的網路攝影機設定如下：

項目	預設值
IP 位址	192.168.1.10
使用者名稱	admin
密碼	admin
連接埠號	80

- 按一下“” (Address Book) → “” (Add) 按鍵輸入您要連線的網路攝影機預設 IP 位址、使用者名稱、密碼和連接埠號。

項目	預設值
IP 位址	192.168.1.10
使用者名稱	admin
密碼	admin
連接埠號	80

- 連按兩下您剛加入連線位址簿的 IP 位址進行登入。