



AVM3455

ETS POLLO



3MP



Motorized Lens



DWDR



PoE



Line in / out



MicroSD Card Recording



External I/O



Solid Light



Mobile Surveillance

3MP IR Bullet IP Camera

FEATURES

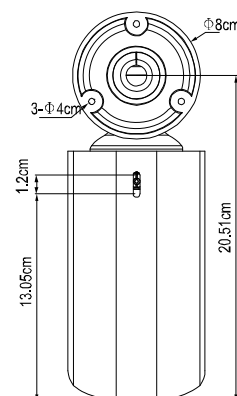
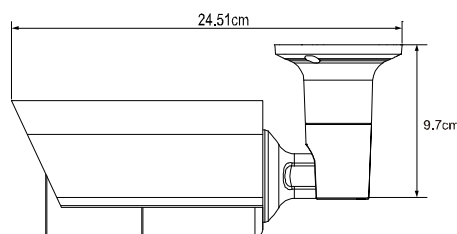
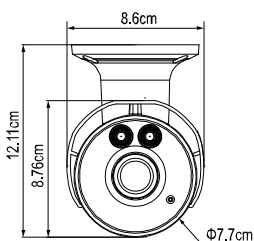
- Equipped with a **motorized vari-focal lens of f2.8 ~ 12 mm**, focal length and focus adjustment could be made directly from NVR
- MicroSD card support (up to 64GB) for **video storage**
- **External alarm I/O device** connection



- **POE (Power-over-Ethernet)** support to eliminate the use of power cables and reduce installation costs
- **ONVIF (ONVIFS)** standard supported to simplify system integration
- **Line in / out** jacks available for audio transmission
- IR effective range **up to 35 meters** for night surveillance

- **DWDR** to increase image recognizability in overexposure and dark areas
- **Solid Light** series featuring better overexposure prevention (Advanced Smart Light Control), automatic adjustment of image brightness, and longer lifetime of LEDs
- Excellent outdoor ID design with **able cable management**
- **Waterproof** design on the Ethernet cable connector
- **Remote Surveillance**
 - **Fully compatible** with **iOS** and **Android** devices, and **Internet Explorer** on Windows operating system
 - Free PC program, **CMS Lite**, for 32CH devices monitoring on Windows operating system
 - **Push Video** available on your iOS and Android devices when used with Push Video NVR series.

DIMENSIONS



Dimensional tolerance: ± 5mm



○ SPECIFICATIONS

■ Network	
LAN Port	YES
LAN Speed	10/100 Based-T Ethernet
Supported Protocols	DDNS, PPPoE, DHCP, NTP, SNTP, TCP/IP, ICMP, SMTP, FTP, HTTP, RTP, RTSP, RTCP, IPv4, Bonjour, UPnP, DNS, UDP, IGMP, QoS, SNMP
ONVIF Compatible	YES (Profile S)
Number of Online Users	10
Security	(1) Multiple user access levels with password (2) IP address filtering (3) Digest authentication
Remote Access	(1) Internet Explorer on Windows operating system (2) CMS Lite, 32CH CMS software for Windows operating system (3) EagleEyes on iOS & Android mobile devices
■ Video	
Network Compression	H.264 (Main Profile) / MJPEG
Video Resolution	2048 x 1536 / 1920 x 1080 / 1280 x 720 / 720 x 480 / 352 x 240
Frame Rate	30fps
Multiple Video Streaming	4 (H.264, MJPEG)
■ General	
Image Sensor	1/2.8" SONY CMOS image sensor
Min Illumination	0.1 Lux / F1.4(Wide)~F2.8(Tele), 0 Lux (IR LED ON)
Shutter Speed	1/10,000 ~ 1/7.5 (Slow shutter)
S/N Ratio	More than 48dB (AGC off)
Lens	Motorized f2.8 ~ 12mm / F1.4 ~ F2.8
Viewing Angle	Wide: 94° (Horizontal) / 69° (Vertical) / 120° (Diagonal) Tele: 29° (Horizontal) / 22° (Vertical) / 36° (Diagonal)
IR LED	2 units
IR Effective Distance**	Default : up to 25 meters IR Enhanced Mode : up to 35 meters
IR Shift	YES
Smart Light Control	YES
White Balance	ATW
AGC	Auto
IRIS Mode	AES
DWDR	YES
POE	YES (IEEE 802.3af)
External Alarm I/O	YES (1 input / 1 output)
RAM	20MB
MicroSD Card Slot	YES (up to 64GB)
IP Rating	IP66
Startup Temperature	0°C ~ 40°C
Operating Temperature	-25°C ~ 50°C
Operating Humidity	Less than 60% relative humidity
Power Source (±10%)	DC12V / 1A
Current Consumption (±10%)	275mA (IR LED OFF); 485mA (IR LED ON); 765mA (IR enhanced mode ON)
Power Consumption (±10%)	12.5W (PoE); 12.5W (PoN) ; 10.5W (DC Adapter)
Net Weight (kg)	1.4

*The specifications are subject to change without notice.

**By using IR enhanced mode and slow shutter speed, the distance can be extended even longer.



○ SPECIFICATIONS (CONTINUED)

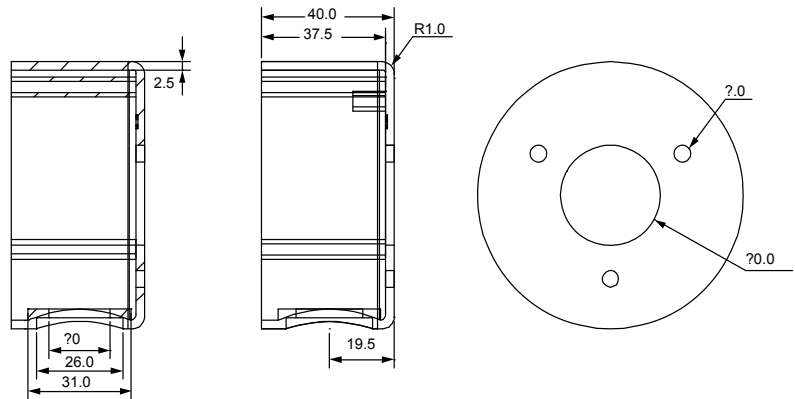
■ Audio	
Line in	YES (Mono)
Line out	YES (Mono)
■ Others	
Mobile Surveillance	iOS & Android mobile devices
Event Notification	FTP / Email / SMS
Digital Pan / Tilt / Zoom	YES
Motion Detection	YES
RTC (real-time clock)	YES
Minimum Web Browsing Requirements	<ul style="list-style-type: none"> • Intel core i3 or higher, or equivalent AMD • 2GB RAM • AGP graphics card, Direct Draw, 32MB RAM • Windows 10, Windows 8, Windows 7, Windows Vista & Windows XP, DirectX 9.0 or later • Internet Explorer 7.x or later (Windows Edge not supported)

*The specifications are subject to change without notice.

○ OPTIONAL PERIPHERALS

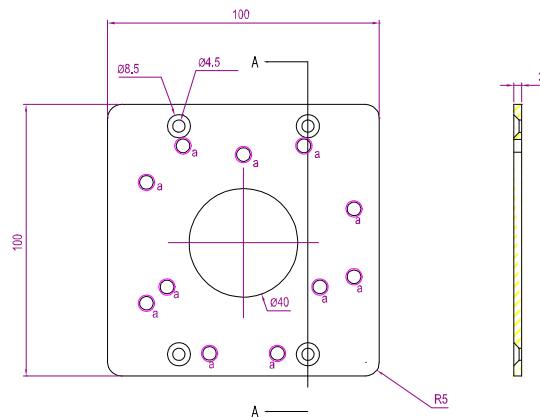
■ AVM552C-BBKT

Used as a bracket to mount the camera on the ceiling and collect the cables.



■ BULLETCON1

Used as a connector to install a junction box for further applications.



Dimensional tolerance: $\pm 5\text{mm}$