



# AVM500A



(Lens optional)

- |                  |                |                               |                            |
|------------------|----------------|-------------------------------|----------------------------|
| <br>HD 1080P     | <br>Push Video | <br>EaZy<br>Networking        | <br>WDR                    |
| <br>External I/O | <br>PoE        | <br>MicroSD Card<br>Recording | <br>Mobile<br>Surveillance |

## 2MP Box IP Camera

### FEATURES

- Free P2P Cloud EaZy Networking**

- Cloud **EaZy Networking** available to connect this device to Internet automatically in three steps with our free mobile app, EagleEyes.
- The **Buddy** feature to share the device access permission to other people.
- Device login / out notifications reported.



- External alarm I/O device connection**



- IR Shift** support for day & night surveillance

- **WDR** support to make everything still visible and clear in a scene where exists both bright and dark areas
- **Micro SD card** support (up to 64GB) for video storage
- **POE (Power-over-Ethernet)** support to eliminate the use of power cables and reduce installation costs
- **ONVIF (ONVIFS)** standard supported to simplify system integration
- **Microphone built-in** for audio recording
- **Remote Surveillance**
  - **Fully compatible** with **iOS** and **Android** devices, and **Internet Explorer** on Windows operating system
  - Free PC program, **CMS Lite**, for 32CH devices monitoring on Windows operating system
  - **Push Video** available on your iOS and Android devices



## ● SPECIFICATIONS

### ■ Network

LAN Port	YES
LAN Speed	10/100 Based-T Ethernet
Supported Protocols	DDNS, PPPoE, DHCP, NTP, SNTP, TCP/IP, ICMP, SMTP, FTP, HTTP, RTP, RTSP, RTCP, IPv4/IPv6, Bonjour, UPnP, DNS, UDP, IGMP, QoS, SNMP
ONVIF Compatible	YES (Profile S)
Number of Online Users	10
Security	(1) Multiple user access levels with password (2) IP address filtering (3) Digest authentication
Remote Access	(1) Internet Explorer on Windows operating system (2) CMS Lite, 32CH CMS software for Windows operating system (3) EagleEyes on iOS & Android mobile devices

### ■ Video

Network Compression	H.264 (Main Profile) / MJPEG
Video Resolution	1920 x 1080 / 1280 x 720 / 720 x 480 / 352 x 240
Frame Rate	30 / 25 fps
Multiple Video Streaming	4 (H.264, MJPEG)

### ■ General

Image Sensor	1/ 2.8" SONY CMOS image sensor
Min Illumination	1 Lux / F1.5
Shutter Speed	1 / 60 (1/50) to 1 / 100,000 sec.
S/N Ratio	More than 48dB (AGC off)
Lens Mount	C/CS Mount (MBFL $\geq$ 5.8mm)
Viewing Angle	73.2°(Horizontal) / 42.8°(Vertical) / 83.2°(Diagonal) (Base on f3.8mm fixed Lens)
IR Shift	YES
White Balance	ATW
AGC	Auto
IRIS Mode	AES / DC Iris
WDR	YES
POE	YES (IEEE 802.3af)
Micro SD Card Slot	YES (up to 64GB)
External Alarm I/O	YES
RAM	20MB
RS-485	YES
Privacy Mask	YES
Power Source ( $\pm$ 10%)	12V / 1A
Operating Temperature	0°C~40°C
Operating Humidity	90% or less relative humidity
Power Consumption ( $\pm$ 10%)	4.5W (PoE); 4.5W (PoN) ;3.7W (DC Adapter)
Net Weight (kg)	0.4

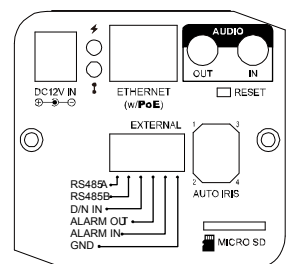
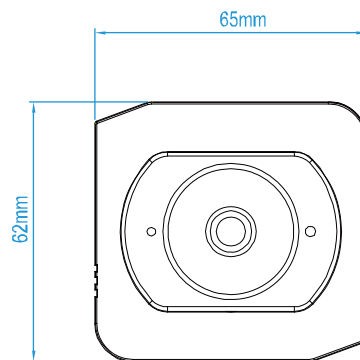
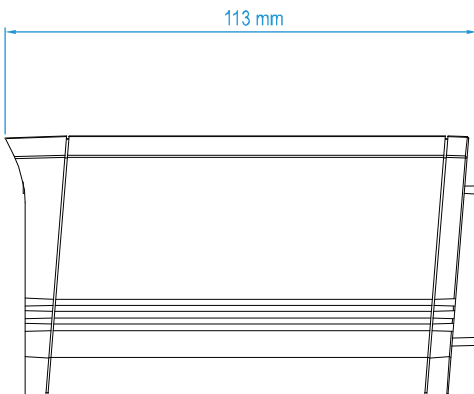


## ● SPECIFICATIONS (CONTINUED)

■ Audio	
Microphone	YES
Line in / out	YES (Mono)
■ Others	
Mobile Surveillance	iOS & Android
EaZy Networking	YES
Event Notification	<b>Push Video</b> / FTP / Email / SMS
Motion Detection	YES
RTC (real-time clock)	YES
Digital Pan / Tilt / Zoom	YES
Minimum Web Browsing Requirements	<ul style="list-style-type: none"> <li>• Intel core i3 or higher, or equivalent AMD</li> <li>• 2GB RAM</li> <li>• AGP graphics card, Direct Draw, 32MB RAM</li> <li>• Windows 10, Windows 8, Windows 7, Windows Vista &amp; Windows XP, DirectX 9.0 or later</li> <li>• Internet Explorer 7.x or later (Windows Edge not supported)</li> </ul>

\*The specifications are subject to change without notice.

## ● DIMENSIONS



\*\* Dimensional tolerance: (± 5mm)