

AVM542B



ETS



HD 1080P



Solid Light



3-Axis



External I/O



PoE



WDR



MicroSD
Card
Recording



IK10
(lens cover)



Mobile
Surveillance

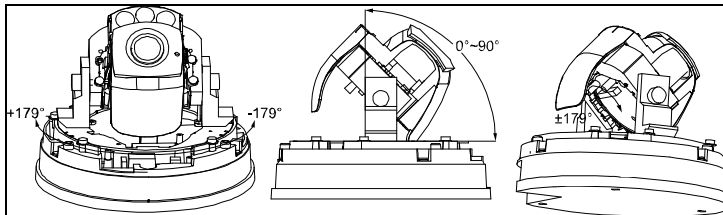


Line in / out

2MP IR Dome IP Camera

FEATURES

- **3-axis** mechanism for flexible ceiling and wall-mount installation



- MicroSD card support (up to 64GB) for **video storage**
- **External alarm I/O device** connection



- **POE (Power-over-Ethernet)** support to eliminate the use of power cables and reduce installation costs
- **ONVIF** (**ONVIFS**) standard supported to simplify system integration
- **Solid Light** series featuring better overexposure prevention (Advanced Smart Light Control), automatic adjustment of image brightness, and longer lifetime of LEDs
- **WDR** to increase image recognizability in overexposure and dark areas
- **IK10** rated, vandal-resistant case to withstand attempts to open or damage the camera
- **Line in / out** jacks available for audio transmission
- **Remote Surveillance**
 - **Fully compatible** with **iOS** and **Android** devices, and **Internet Explorer** on Windows operating system
 - **Push Video** available on your iOS and Android devices when used with Push Video NVR series.



○ SPECIFICATIONS

■ Network	
LAN Port	YES
LAN Speed	10/100 Based-T Ethernet
Supported Protocols	DDNS, PPPoE, DHCP, NTP, SNTP, TCP/IP, ICMP, SMTP, FTP, HTTP, RTP, RTSP, RTCP, IPv4, Bonjour, UPnP, DNS, UDP, IGMP, QoS, SNMP
ONVIF Compatible	YES (Profile S)
Number of Online Users	10
Security	(1) Multiple user access levels with password (2) IP address filtering (3) Digest authentication
Remote Access	(1) Internet Explorer on Windows operating system (2) 16CH Video Viewer on Windows & MAC operating system (3) EagleEyes on iPhone, iPad & Android mobile devices
■ Video	
Network Compression	H.264 (Main Profile) / MJPEG
Video Resolution	1920 x 1080 / 1280 x 720 / 720 x 480 / 352 x 240
Frame Rate	30/25fps
Multiple Video Streaming	4 (H.264 / MJPEG)
■ General	
Image Sensor	1/ 2.8" SONY CMOS image sensor
Min Illumination	0.1 Lux / F1.4, 0 Lux (LED ON)
Shutter Speed	1/10,000 ~ 1/7.5 (Slow shutter)
S/N Ratio	More than 48dB (AGC off)
Lens	f2.8 ~ 12mm / F1.4 ~ F2.8
Viewing Angle	Wide: 103° (Horizontal) / 54° (Vertical) / 122° (Diagonal) Tele: 31° (Horizontal) / 17° (Vertical) / 36° (Diagonal)
IR LED	3 Units
IR Effective Distance**	Default: up to 30 meters IR Enhanced Mode: up to 50 meters
IR Shift	YES
Smart Light Control	YES
White Balance	ATW
AGC	Auto
IRIS Mode	AES
WDR	YES
POE	YES (IEEE 802.3af)
External Alarm I/O	YES (1 input / 1 output)
RAM	20MB
MicroSD Card Slot	YES (up to 64GB)
Weather-proof	IP66
Vandal-proof	IK10
Operating Temperature	-25°C ~ 50°C
Operating Humidity	90% or less relative humidity
Power Source (±10%)	12V / 1.5A
Current Consumption (±10%)	849mA
Power Consumption (±10%)	12.5W Max (PoE) ; 12.5W Max (PoN) ; 10.19W (DC Adapter)
Net Weight (kg)	1.5



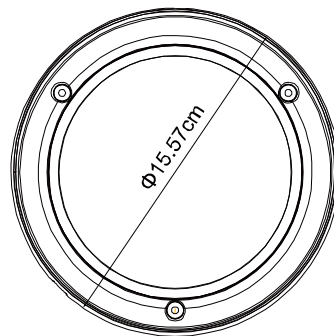
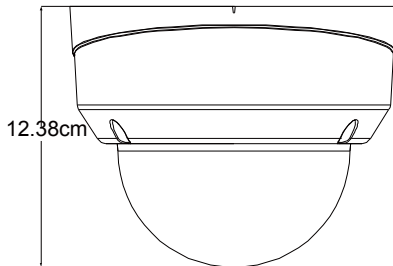
● SPECIFICATIONS (CONTINUED)

■ Audio	
Line in	YES (Mono)
Line out	YES (Mono)
■ Others	
Mobile Surveillance	iOS & Android mobile devices
Motion Detection	YES
Event Notification	FTP / Email / SMS
3-Axis	YES
Privacy Mask	YES
RTC (real-time clock)	YES
Digital Pan / Tilt / Zoom	YES
Minimum Web Browsing Requirements	<ul style="list-style-type: none"> • Intel core i3 or higher, or equivalent AMD • 2GB RAM • AGP graphics card, Direct Draw, 32MB RAM • Windows 8, Windows 7, Windows Vista & Windows XP, DirectX 9.0 or later • Internet Explorer 7.x or later

*The specifications are subject to change without notice.

** Using IR enhanced mode and slow shutter speed, the distance can be extended even longer.

DIMENSIONS

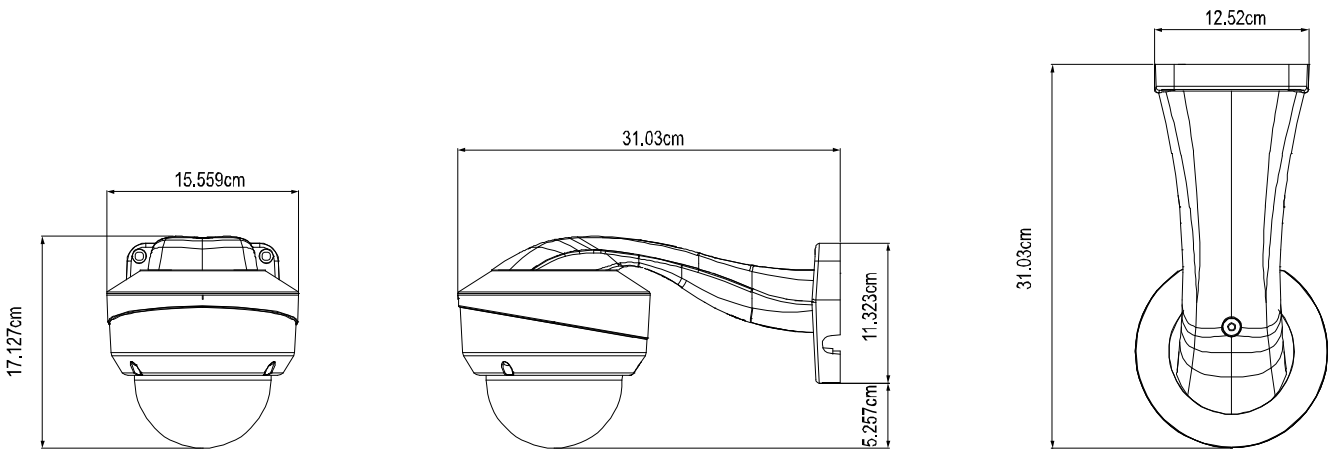


Dimensional tolerance: $\pm 5\text{mm}$



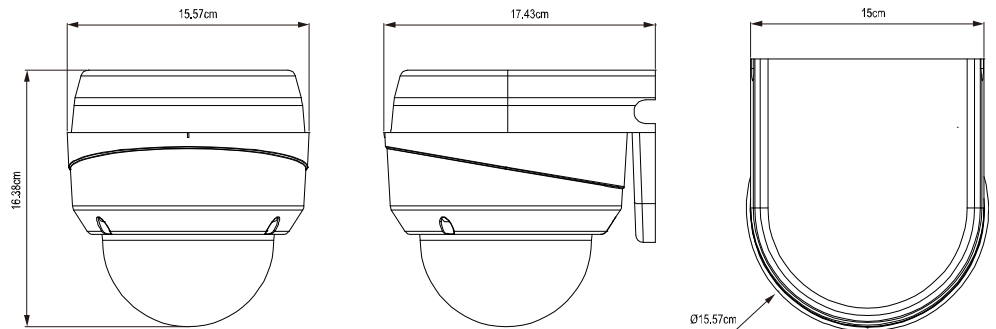
OPTIONAL BRACKETS

■ AVM542-BKT(A)



Dimensional tolerance: $\pm 5\text{mm}$

■ PAVM542-BKT(B)



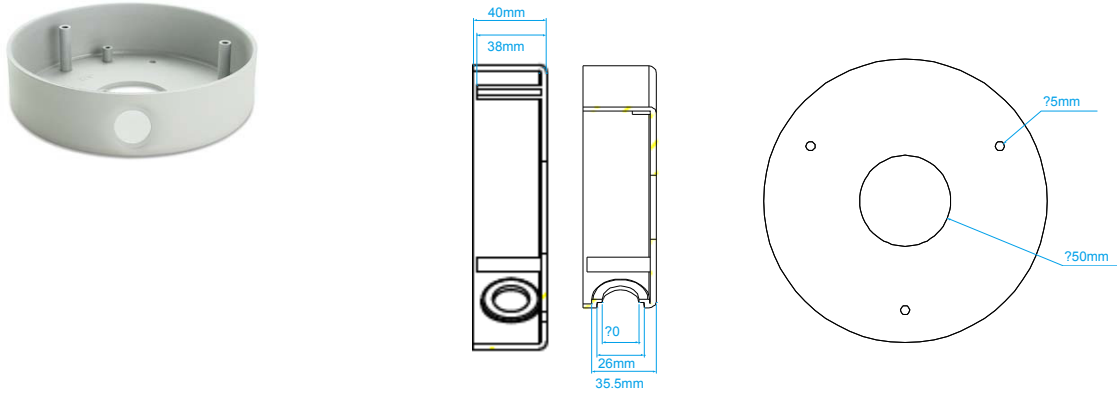
Dimensional tolerance: $\pm 5\text{mm}$



OPTIONAL BRACKETS (CONTINUED)

■ AVM542-BBKT

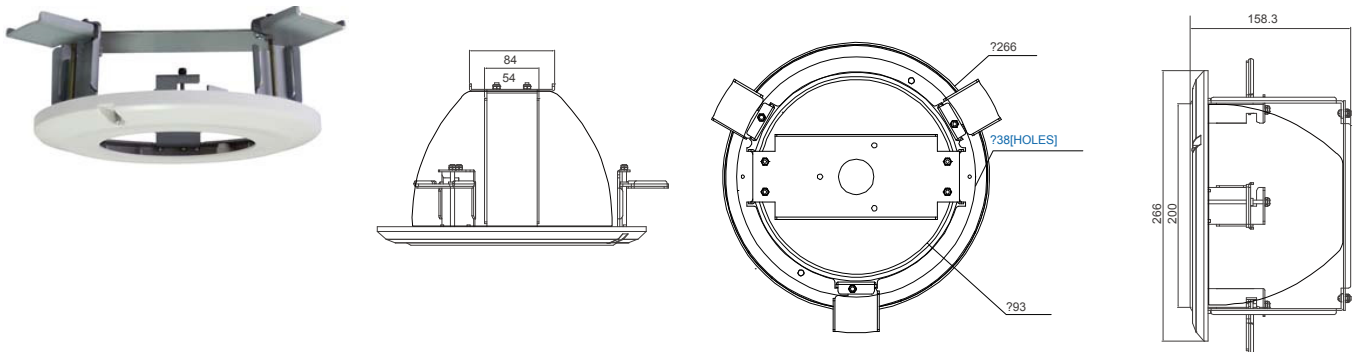
Used as a bracket to mount the camera on the ceiling and collect the cables.



Dimensional tolerance: $\pm 5\text{mm}$

■ AVM542CEIL-BKT (Coming Soon)

Used as a bracket to mount the camera into the ceiling.



Dimensional tolerance: $\pm 5\text{mm}$