



AVM552B



HD 1080P



Vari-focal Lens



MicroSD Card
Recording



External I/O



PoE



Solid Light



Mobile
Surveillance



WDR

ETS



2MP Vari-focal IP Camera

FEATURES

- Equipped with a **vari-focal lens of f2.8 ~ 12 mm**, suitable for various monitoring environments
- MicroSD card support (up to 64GB) for **video storage**
- **External alarm I/O device** connection



- **POE (Power-over-Ethernet)** support to eliminate the use of power cables and reduce installation costs
- **ONVIF** (**ONVIFS**) standard supported to simplify system integration
- IR LED built-in for **night surveillance** with max effective range up to 35 meters
- **WDR** to increase image recognizability in overexposure and dark areas
- Excellent outdoor ID design with **cable management**
- **Solid Light** series featuring better overexposure prevention (Advanced Smart Light Control), automatic adjustment of image brightness, and longer lifetime of LEDs

SOLID LIGHT

Smart & Efficient Lighting Solution

- Longer IR Effective Distance
- Longer LED Lifetime
- Advanced Smart Light Control

- **Remote Surveillance**
 - **Fully compatible** with **iOS** and **Android** devices, and **Internet Explorer** on Windows operating system
 - **Push Video** available on your iOS and Android devices when used with Push Video NVR series.



○ SPECIFICATIONS

■ Network

LAN Port	YES
LAN Speed	10/100 Based-T Ethernet
Supported Protocols	DDNS, PPPoE, DHCP, NTP, SNTP, TCP/IP, ICMP, SMTP, FTP, HTTP, RTP, RTSP, RTCP, IPv4, Bonjour, UPnP, DNS, UDP, IGMP, QoS, SNMP
ONVIF Compatible	YES (Profile S)
Number of Online Users	10
Security	(1) Multiple user access levels with password (2) IP address filtering (3) Digest authentication
Remote Access	(1) Internet Explorer on Windows operating system (2) 16CH Video Viewer on Windows & MAC operating system (3) EagleEyes on iPhone, iPad & Android mobile devices

■ Video

Video Compression	H.264 (Main Profile) / MJPEG
Resolution	1920 x 1080 / 1280 x 720 / 720 x 480 / 352 x 240
Frame Rate	30/25 fps
Multiple Video Streaming	4 (H.264, MJPEG)

■ General

Image Sensor	1/ 2.8" SONY CMOS image sensor
Min Illumination	0.1 Lux / F1.4(Wide)~F2.8(Tele), 0 Lux (LED ON)
Shutter Speed	1/10,000 ~ 1/7.5 (Slow shutter)
S/N Ratio	More than 48dB (AGC off)
Lens	f2.8 ~ 12mm / F1.4 ~ F2.8
Viewing Angle	Wide: 103° (Horizontal) / 54° (Vertical) / 122° (Diagonal) Tele: 31° (Horizontal) / 17° (Vertical) / 36° (Diagonal)
IR LED	2 Units
IR Effective Range**	Default: up to 25 meters ; IR Enhanced Mode: up to 35 meters
IR Shift	YES
Smart Light Control	YES
White Balance	ATW
AGC	Auto
IRIS Mode	AES
WDR	YES
Privacy Mask	YES
POE (Power-over-Ethernet)	YES (IEEE 802.3af)
External Alarm I/O	YES
RAM	20MB
MicroSD Card Slot	YES (up to 64GB)
IP Rating	IP66
Startup Temperature	0°C ~ 40°C
Operating Temperature	-25°C ~ 50°C
Operating Humidity	90% or less relative humidity
Power Source (±10%)	12V / 1A
Current Consumption (±10%)	700mA
Power Consumption (±10%)	10.5W (PoE) ; 10.5W (PoN) ; 8.4W (DC Adapter)
Dimensions(mm)***	254(L) × 91(W) × 193(H)
Net Weight (kg)	1.5



○ SPECIFICATIONS (CONTINUED)

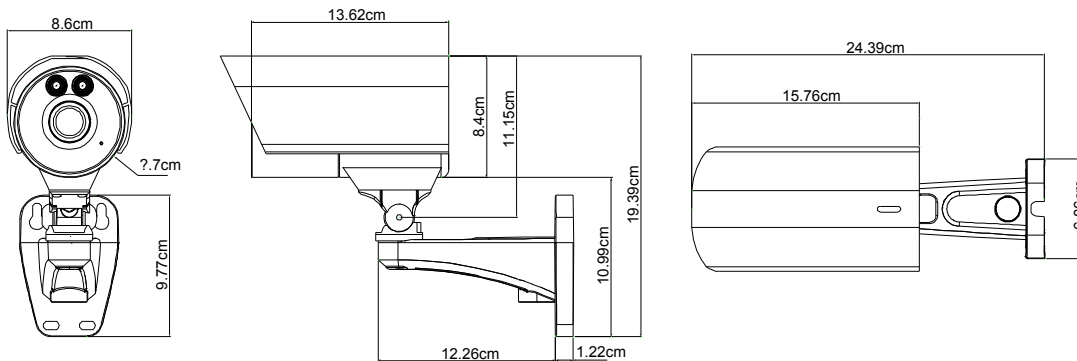
■ Others

Mobile Surveillance	iOS & Android
Event Notification	FTP / Email / SMS
Digital Pan / Tilt / Zoom	YES
Motion Detection	YES
RTC (real-time clock)	YES
Minimum Web Browsing Requirements	<ul style="list-style-type: none"> • Intel core i3 or higher, or equivalent AMD • 2GB RAM • AGP graphics card, Direct Draw, 32MB RAM • Windows 8, Windows 7, Windows Vista & Windows XP, DirectX 9.0 or later • Internet Explorer 7.x or later

*The specifications are subject to change without notice

** Using IR enhanced mode and slow shutter speed, the distance can be extended even longer.

○ DIMENSIONS

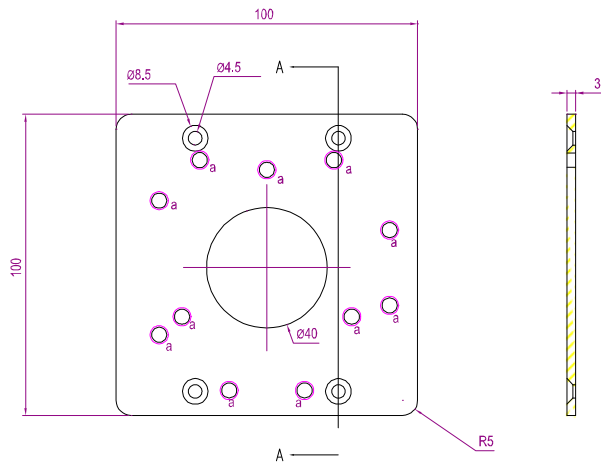


Dimensional tolerance: ± 5mm

○ OPTIONAL CONNECTOR

■ BULLETCON1

Used as a connector to install a junction box for further applications.



Dimensional tolerance: ± 5mm