



# AVM557A



HD 1080P



Vari-focal Lens



MicroSD Card Recording



External I/O



PoE



Solid Light



Mobile Surveillance



## 2MP IR Bullet IP Camera

### FEATURES

- Equipped with a **vari-focal lens of f2.8 ~ 12 mm**, suitable for various monitoring environments
- MicroSD card support (up to 64GB) for **video storage**
- **External alarm I/O device** connection



- **POE (Power-over-Ethernet)** support to eliminate the use of power cables and reduce installation costs
- **ONVIF (ONVIFS)** standard supported to simplify system integration
- **Crystal Image** IP camera series provides higher compression ratio, and clearer & sharper images than other 2MP IP cameras, allowing high quality video storage with smaller storage capacity



- **Solid Light** series featuring better overexposure prevention (Advanced Smart Light Control), automatic adjustment of image brightness, and longer lifetime of LEDs



### Remote Surveillance

- **Fully compatible** with **iOS** and **Android** devices, and **Internet Explorer** on Windows operating system
- Free PC program, **CMS Lite**, for 32CH devices monitoring on Windows operating system
- **Push Video** available on your iOS and Android devices when used with Push Video NVR series.



## ○ SPECIFICATIONS

### ■ Network

LAN Port	YES
LAN Speed	10/100 Based-T Ethernet
Supported Protocols	DDNS, PPPoE, DHCP, NTP, SNTP, TCP/IP, ICMP, SMTP, FTP, HTTP, RTP, RTSP, RTCP, IPv4, Bonjour, UPnP, DNS, UDP, IGMP, QoS, SNMP
ONVIF Compatible	YES (Profile S)
Number of Online Users	10
Security	(1) Multiple user access levels with password (2) IP address filtering (3) Digest authentication
Remote Access	(1) Internet Explorer on Windows operating system (2) CMS Lite, 32CH CMS software for Windows operating system (3) EagleEyes on iOS & Android mobile devices

### ■ Video

Network Compression	H.264 (Main Profile) / MJPEG
Video Resolution	1920 x 1080 / 1280 x 720 / 720 x 480 / 352 x 240
Frame Rate	30fps
Multiple Video Streaming	4 (H.264, MJPEG)

### ■ General

Image Sensor	1/2.9" SONY CMOS image sensor
Min Illumination	0.1 Lux / F1.4(Wide)~F2.8(Tele), 0 Lux (IR LED ON)
Shutter Speed	1/7.5 to 1/8000 sec
S/N Ratio	More than 48dB (AGC off)
Lens	f2.8 ~ 12mm / F1.4 ~ F2.8
Viewing Angle	Wide: 103° (Horizontal) / 54° (Vertical) / 122° (Diagonal) Tele: 31° (Horizontal) / 17° (Vertical) / 36° (Diagonal)
IR LED	2 units
IR Effective Distance	Default : up to 25 meters IR Enhanced Mode : up to 35 meters
IR Shift	YES
Smart Light Control	YES
White Balance	ATW
AGC	Auto
IRIS Mode	AES
DWDR	YES
POE	YES (IEEE 802.3af)
External Alarm I/O	YES (1 input / 1 output)
RAM	20MB
MicroSD Card Slot	YES (up to 64GB)
IP Rating	IP66
Startup Temperature	0°C~40°C
Operating Temperature	-25°C ~ 50°C
Operating Humidity	90% or less relative humidity
Power Source (±10%)	12V / 1A
Current Consumption (±10%)	419mA
Power Consumption (±10%)	9W (PoE) ; 9W (PoN) ; 7.23W (DC Adapter)
Net Weight (kg)	1.16



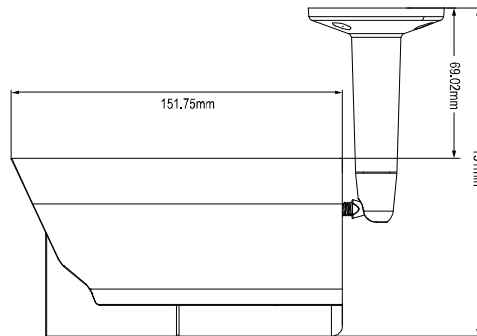
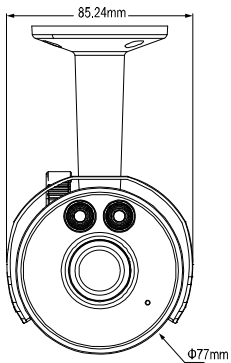
## ○ SPECIFICATIONS (CONTINUED)

■ Others	
Mobile Surveillance	iOS & Android mobile devices
Event Notification	FTP / Email
Digital Pan / Tilt / Zoom	YES
Motion Detection	YES
RTC (real-time clock)	YES
Minimum Web Browsing Requirements	<ul style="list-style-type: none"> <li>• Intel core i3 or higher, or equivalent AMD</li> <li>• 2GB RAM</li> <li>• AGP graphics card, Direct Draw, 32MB RAM</li> <li>• Windows 10, Windows 8, Windows 7, Windows Vista &amp; Windows XP, DirectX 9.0 or later</li> <li>• Internet Explorer 7.x or later (Windows Edge not supported)</li> </ul>

\*The specifications are subject to change without notice.

\*\*Using IR enhanced mode and slow shutter speed, the distance can be extended even longer.

## ○ DIMENSIONS



Dimensional tolerance: ± 5mm