

AVN320LA



HD 720P



Solid Light



Mobile Surveillance



1.3MP IR Dome IP Camera

FEATURES

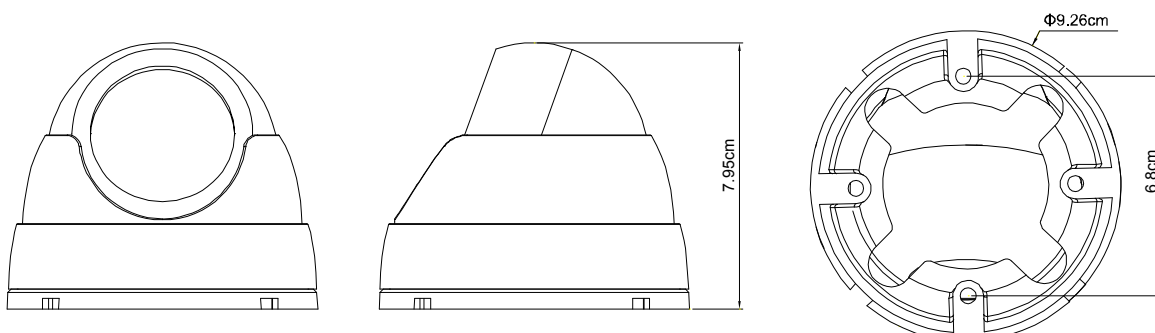
- **ONVIF** (**ONVIFS**) standard supported to simplify system integration
- **Solid Light** series featuring better overexposure prevention (Advanced Smart Light Control), automatic adjustment of image brightness, and longer lifetime of LED

SOLID LIGHT
 Smart & Efficient Lighting Solution

- Longer IR Effective Distance
- Longer LED Lifetime
- Advanced Smart Light Control

- **IR LED built-in** for night surveillance up to 20 meters
- **IP66** weather-proof case for protection against dust and water, suitable for both indoor & outdoor use
- **Remote Surveillance**
 - **Fully compatible** with **iOS** and **Android** devices, and **Internet Explorer** on Windows operating system
 - Free PC program, **CMS Lite**, for 24CH devices monitoring on Windows operating system
 - **Push Video** available on your iOS and Android devices when used with Push Video NVR series.

DIMENSIONS



Dimensional tolerance: ± 5mm



● SPECIFICATIONS

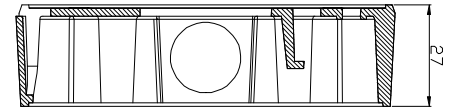
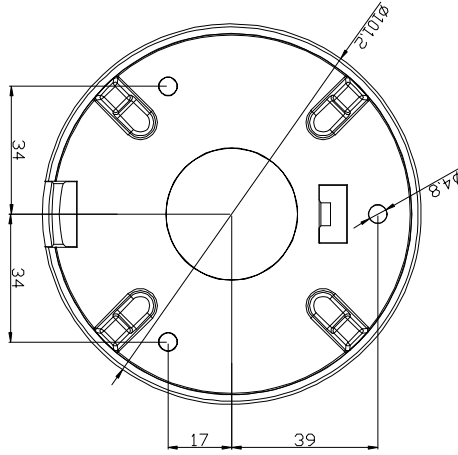
■ Network	
LAN Port	YES
LAN Speed	10/100 Based-T Ethernet
Supported Protocols	DDNS, PPPoE, DHCP, NTP, SNTP, TCP/IP, ICMP, SMTP, FTP, HTTP, RTP, RTSP, RTCP, IPv4, Bonjour, UPnP, DNS, UDP, IGMP, QoS
ONVIF Compatible	YES (Profile S)
Number of Online Users	10
Security	(1) Multiple user access levels with password (2) IP address filtering (3) Digest authentication
Remote Access	(1) Internet Explorer on Windows operating system (2) CMS Lite, 24CH CMS software for Windows operating system (3) EagleEyes on iOS & Android mobile devices
■ Video	
Network Compression	H.264 / MPEG4 / MJPEG
Video Resolution	1280 x 1024 / 1280 x 720 / 640 x 480 / 320 x 240
Frame Rate	30fps
Multiple Video Streaming	4 (H.264, MJPEG, MPEG4)
■ General	
Image Sensor	1/3" SONY CMOS image sensor
Min Illumination	1 Lux / F1.5, 0 Lux (LED ON)
Shutter Speed	1/2 to 1/10,000 sec
S/N Ratio	More than 48dB (AGC off)
Lens	f3.8mm / F1.5
Viewing Angle	65.4° (Horizontal) / 49.9° (Vertical) / 80.4° (Diagonal)
IR LED	1 Unit
IR Effective Distance	Up to 20 meters
IR Shift	YES
Smart Light Control	YES
White Balance	ATW
AGC	Auto
IRIS Mode	AES
RAM	10MB
IP Rating	IP66
Operating Temperature	-25°C~50°C
Operating Humidity	90% or less relative humidity
Power Source (±10%)	12V / 1A
Current Consumption (±10%)	480mA
Net Weight (kg)	0.335
■ Others	
Mobile Surveillance	iOS & Android mobile devices
Event Notification	FTP / Email / SMS
3-Axis	YES
Digital Pan / Tilt / Zoom	YES
Motion Detection	YES
RTC (real-time clock)	YES
Minimum Web Browsing Requirements	<ul style="list-style-type: none"> • Intel core i3 or higher, or equivalent AMD • 2GB RAM • AGP graphics card, Direct Draw, 32MB RAM • Windows 10, Windows 8, Windows 7, Windows Vista & Windows XP, DirectX 9.0 or later • Internet Explorer 7.x or later (Windows Edge not supported)



OPTIONAL BRACKET

AVN320-BKT

Used as a bracket to mount the camera on the ceiling and collect the cables.



Dimensional tolerance: $\pm 5\text{mm}$