

AVN320



HD 720P



PoE



Solid Light



Mobile Surveillance



1.3MP IR Dome IP Camera

FEATURES

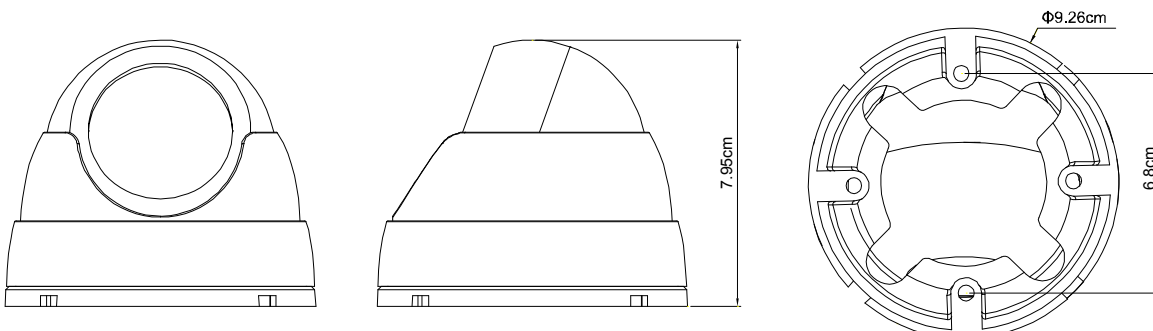
- **POE (Power-over-Ethernet)** support to eliminate the use of power cables and reduce installation costs
- **ONVIF** (**ONVIFS**) standard supported to simplify system integration
- **Solid Light** series featuring better overexposure prevention (Advanced Smart Light Control), automatic adjustment of image brightness, and longer lifetime of LED

SOLID LIGHT
 Smart & Efficient Lighting Solution

- Longer IR Effective Distance
- Longer LED Lifetime
- Advanced Smart Light Control

- **IR LED built-in** for night surveillance up to 20 meters
- **IP66** weather-proof case for protection against dust and water, suitable for both indoor & outdoor use
- **Remote Surveillance**
 - **Fully compatible** with **iOS** and **Android** devices, and **Internet Explorer** on Windows operating system
 - Free PC program, **CMS Lite**, for 24CH devices monitoring on Windows operating system
 - **Push Video** available on your iOS and Android devices when used with Push Video NVR series.

DIMENSIONS



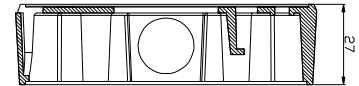
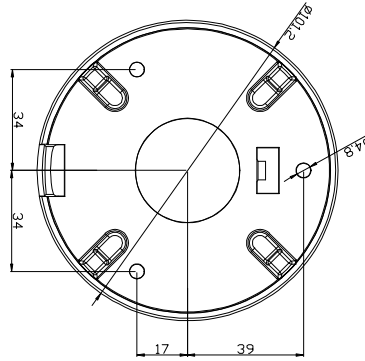
Dimensional tolerance: ± 5mm



OPTIONAL PERIPHERALS(coming soon)

■ 320BKT

Used for AVN320 to manage cables.



Dimensional tolerance: $\pm 5\text{mm}$