



AVN90X

1.3 Megapixel

Network Camera

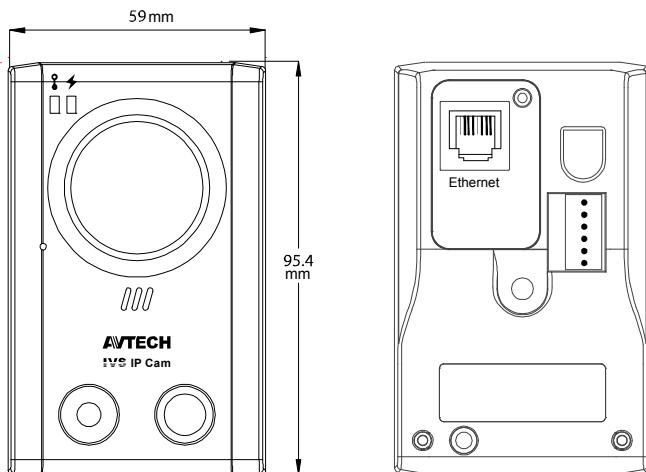


PUSH VIDEO

FEATURES

- **Push Video** support to send external or internal alarm notifications to your iPad, iPhone and Android mobile device immediately once the specified event type is triggered, and play video recording once you confirm the receipt.
- Connection of **Multiple I/O devices** for further detection and control purposes available when used with the optional I/O controller, AVX951A
- Easy **network setup** with your **iPhone / iPad / Android devices**
- **1.3 Megapixel** live MOS sensor with **HDTV 720p** quality, allowing users to notice minor details more easily
- SD card support for **video storage**
- **White LED** built-in to illuminate the scene manually, scheduled by a timer, or triggered by a motion, an alarm, or an audio event
- Microphone & speaker built-in for **two-way audio transmission**
- **Remote Surveillance**
 - **Fully compatible** with **iOS** and **Android** devices, and **Internet Explorer** on Windows operating system
 - Free PC program, **CMS Lite**, for 24CH devices monitoring on Windows operating system
 - **Push Video** available on your iOS and Android devices when used with Push Video NVR series.

Dimensions



* Dimensional tolerance: (± 5mm)



SPECIFICATIONS

■ Network	
Network Compression	H.264 / MPEG4 / MJPEG
Multiple Video Streaming (Encode Modes, IPS, Resolution)	3 (H.264, MJPEG, MPEG4)
LAN Port	YES
LAN Speed	10/100 Based-T Ethernet
Supported Protocols	DDNS, PPPoE, DHCP, NTP, SNTP, TCP/IP, ICMP, SMTP, FTP, HTTP, RTP, RTSP, UPnP
Frame Rate	NTSC:30, PAL:25
Number of Online Users	10
Security	Multiple user access levels with password
Remote Access	(1) Internet Explorer on Windows operating system (2) CMS Lite, 24CH CMS software for Windows operating system (3) EagleEyes on iOS & Android mobile devices
■ Camera	
Image Sensor	1/3" Live MOS image sensor
Video Resolution	SXGA, SXVGA, 720P, VGA, QVGA
Min Illumination	0.1 Lux / F1.5, 0 Lux (LED ON)
Shutter Speed	1 / 60 (1/50) to 1 / 100,000 sec.
S/N Ratio	More than 48dB (AGC off)
Lens	f3.8mm / F1.5
Viewing Angle	80.4° (Diagonal) / 65.4° (Horizontal) / 49.9° (Vertical)
White LED	YES (1W, 10 meters)
White Balance	ATW
AGC	Auto
IRIS Mode	AES
PIR Sensor	Detection Range 76° wide angle with up to 6m long distance at 2m height (under 30°C)
Micro SD Card Slot	YES
External Alarm I/O	YES
RAM	10MB
Microphone	YES
Speaker	YES
Power Source (±10%)	5V / 2A
Operating Temperature	0°C~40°C
Operating Humidity	90% or less relative humidity
Net Weight (kg)	0.3
■ Others	
Mobile Surveillance	iPad / iPhone / Android mobile device
Push Video	YES
Audio Detection	YES
RTC (real-time clock)	YES
Motion Detection	YES
Digital Pan / Tilt / Zoom	YES
Event Notification	FTP / Email / Push Video
Minimum Web Browsing Requirements	<ul style="list-style-type: none"> • Intel core i3 or higher, or equivalent AMD • 2GB RAM • AGP graphics card, Direct Draw, 32MB RAM • Windows 10, Windows 8, Windows 7, Windows Vista & Windows XP, DirectX 9.0 or later • Internet Explorer 7.x or later (Windows Edge not supported)
Optional Peripheral	AVX951A I/O Controller

* The specifications are subject to change without notice.