



DGM2543



HD 1080P



Motorized Lens



EaZy Networking



WDR



PoE



Line in / out



Mobile Surveillance



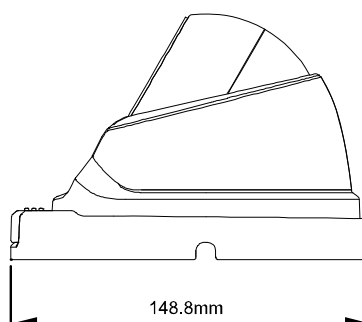
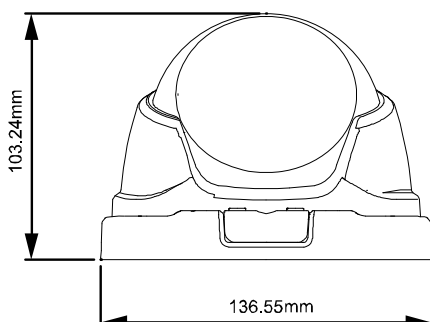
2MP IR Dome IP Camera

FEATURES

- Equipped with a **motorized vari-focal lens of f2.8 ~ 8.0 mm**, focal length and focus adjustment could be made remotely
- Free P2P Cloud EaZy Networking**
 - Cloud **EaZy Networking** available to connect this device to Internet automatically in three steps with our free mobile app, EagleEyes.
 - The **Buddy** feature to share the device access permission to other people.
 - Device login / out notifications reported.
- ONVIF (ONVIFS)** standard supported to simplify system integration
- POE (Power-over-Ethernet)** support to eliminate the use of power cables and reduce installation costs
- Line in / out** jacks available for audio transmission
- IR effective range **up to 50 meters** for night surveillance
- WDR** to increase image recognizability in overexposure and dark areas
- Remote Surveillance**
 - Fully compatible** with **iOS** and **Android** devices, and **Internet Explorer** on Windows operating system
 - Free PC program, **CMS Lite**, for 32CH devices monitoring on Windows operating system



DIMENSIONS



Dimensional tolerance: ± 5mm

○ SPECIFICATIONS

■ Network	
LAN Port	YES
LAN Speed	10/100 Based-T Ethernet
Supported Protocols	DDNS, PPPoE, DHCP, NTP, SNTP, TCP/IP, ICMP, SMTP, FTP, HTTP, RTP, RTSP, RTCP, IPv4/IPv6, Bonjour, UPnP, DNS, UDP, IGMP, QoS, SNMP
ONVIF Compatible	YES (Profile S)
Number of Online Users	10
Security	(1) Multiple user access levels with password (2) IP address filtering (3) Digest authentication
Remote Access	(1) Internet Explorer on Windows operating system (2) CMS Lite, 32CH CMS software for Windows operating system (3) EagleEyes on iOS & Android mobile devices
■ Video	
Network Compression	H.264 / MJPEG
Video Resolution	1920 x 1080 / 1280 x 720 / 720 x 480 / 352 x 240
Frame Rate	30/25 IPS
Multiple Video Streaming	4 (H.264 / MJPEG)
■ General	
Image Sensor	1/2.8" SONY CMOS image sensor
Min Illumination	0.1 Lux / F1.4(Wide)~F2.8(Tele), 0 Lux (IR LED ON)
Shutter Speed	1/10,000 ~ 1/7.5 (Slow shutter)
S/N Ratio	More than 48dB (AGC off)
Lens	motorized f2.8 ~ f8.0mm / F1.6 ~ F2.8
Viewing Angle	Wide: 102° (Horizontal) / 54° (Vertical) / 122° (Diagonal) Tele: 55° (Horizontal) / 30° (Vertical) / 62° (Diagonal)
IR LED	4 units
IR Effective Distance	Up to 50 meters
IR Shift	YES
Smart Light Control	YES
White Balance	ATW
AGC	Auto
IRIS Mode	AES
WDR	YES
POE	YES (IEEE 802.3af)
RAM	20MB
IP Rating	IP66
Startup Temperature	0°C ~ 50°C
Operating Temperature	-25°C ~ 50°C
Operating Humidity	90% or less relative humidity
Power Source (±10%)	DC12V / 1A
Current Consumption (±10%)	225mA (IR LED OFF); 544mA (IR LED ON)
Power Consumption (±10%)	8W (PoE / PoN) ; 6.5W (DC Adapter)
Net Weight (kg)	0.75

*The specifications are subject to change without notice. .



● SPECIFICATIONS (CONTINUED)

■ Audio	
Line-in	YES
Line-out	YES
■ Others	
EaZy Networking	YES
Mobile Surveillance	iOS & Android mobile devices
Event Notification	FTP / Email / SMS
Digital Pan / Tilt / Zoom	YES
Motion Detection	YES
RTC (real-time clock)	YES
Minimum Web Browsing Requirements	<ul style="list-style-type: none"> • Intel core i3 or higher, or equivalent AMD • 2GB RAM • AGP graphics card, Direct Draw, 32MB RAM • Windows 10, Windows 8, Windows 7, Windows Vista & Windows XP, DirectX 9.0 or later • Internet Explorer 7.x or later (Windows Edge not supported)

*The specifications are subject to change without notice.