

DGM5407AT



5MP



H.265



Starlight



PoE



WDR



Human
Detection



MIC built-in



External I/O



MicroSD Card
Recording

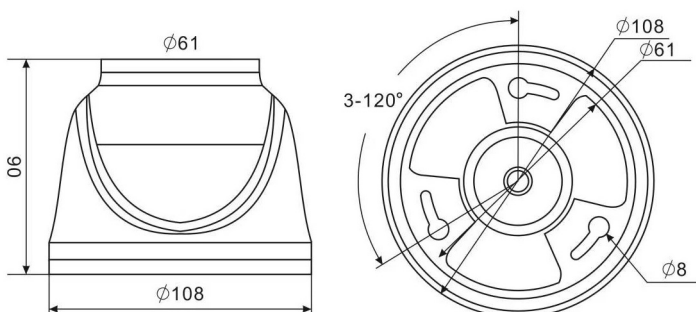
AI-based 5MP H.265 IR Dome IP Camera

FEATURES

- **Starlight visibility** to offer clear & color images even at night
- **AI-based human detection** supported to avoid false detection alarms
- MicroSD card support (up to 128GB) for **local video storage**
- **ONVIF** standard supported to simplify system integration
- **POE (Power-over-Ethernet)** support to eliminate the use of power cables and reduce installation costs
- **Microphone built-in** for audio recording
- **External Alarm I/O device** connection
- IR effective range **up to 25 meters** for night surveillance
- **WDR** to increase image recognizability in overexposure and dark areas
- **Remote Surveillance**

-- **Fully compatible** with **Internet Explorer 6** and above on Windows operating system

DIMENSIONS



○ SPECIFICATIONS

■ Device	
Image Sensor	1/2.7" SONY CMOS image sensor
Max. Resolution	2616 x 1964 (5MP)
Lens	f2.8mm
Min Illumination	0.001 Lux, 0 Lux (IR LED ON)
Shutter Speed	Auto / Manual
IR LED	3 units
IR Effective Distance**	Up to 25 meters
Day / Night	YES
WDR Mode	YES
RTC (real-time clock)	NTP / Manual
Micro SD Card Slot	YES (up to 128GB)
■ Video	
Compression	MJPEG / H.264 / H.265
Video Resolution	2592 x 1944 / 2560 x 1440 / 2304 x 1296 / 1080P / 720P / D1 / VGA / 640 x 360 / 480 x 360 / CIF
Frame Rate	30 IPS
Video Profile	High profile / Main profile / Base profile
Multiple Video Streaming	2 streams
S/N Ratio	More than 50dB (AGC off)
Bitrate Control	CBR / VBR
Image Enhancement	WDR (Level 0 ~ 255) / BLC / HLC / 2D DNR / 3D DNR
Day / Night Switch	Auto / Timing / External / Manual
Forced Anti-flicker	YES
Defog	YES
White Balance	AWB
Image Orientation	Flip / Mirror
Privacy Mask	4 customized areas
Text Overlay	YES
OSD Title	Location / font size / text configurable; text input (English & Chinese characters) and image upload (BMP) supported
■ Audio	
Microphone built-in	YES
Line out	YES
Encoding	G711 / G711A / AAC
Audio Adjustment	YES
■ Alarm & Event	
Alarm-in	YES
Alarm-out	YES
Detection Mode	Human (Day & Night) / Motion
Detection Schedule	YES
Motion Detection Area	1x1, 2x2, 3x2, 3x3, 4x3, 4x4, 8x8, 16x16, 22x18
Human Detection Alert	Audio alert with customized mp3 audio file(s)

● SPECIFICATIONS (CONTINUED)

■ Storage	
On-Board Storage	Built-in memory card slot, supports microSD / SDHC / SDXC card up to 128GB
Overwrite	YES
Maximum Recoding Time / per File	1, 2, 3, 5, 10, 20 & 30 minutes configurable
Recording Schedule	YES
■ Network	
LAN Port	RJ45 connector x 1 / 2KV lightning-proof
LAN Speed	10/100 Based-T Ethernet
Supported Protocols	TCP/IP, ICMP, HTTP, DHCP, DNS, RTP, RTSP, NTP, IPv4, IPv6, HTML5, ONVIF
ONVIF Compatible	YES
Number of Online Users	6
Remote Access	Internet Explorer 6 and above
■ General	
Web Interface Language	English, Traditional Chinese, Simplified Chinese, Russian, German, Italian, Turkish, Korean
Operating Temperature	-30°C ~ 85°C
POE	YES (IEEE 802.3af)
Power Source (±10%)	PoE (IEEE 802.3af) / DC12V
Current Consumption (±10%)	190mA (IR LED OFF); 400mA (IR LED ON)
Net Weight (g)	336.5
Certification	CE / FCC
Casing	IP67
Minimum Web Browsing Requirements	<ul style="list-style-type: none"> • Intel core i3 or higher, or equivalent AMD • 2GB RAM • AGP graphics card, Direct Draw, 32MB RAM • Windows 10, Windows 8, Windows 7, DirectX 9.0 or later • Internet Explorer 6 or above (Windows Edge not supported)

*The specifications are subject to change without notice.