

# AVT1301

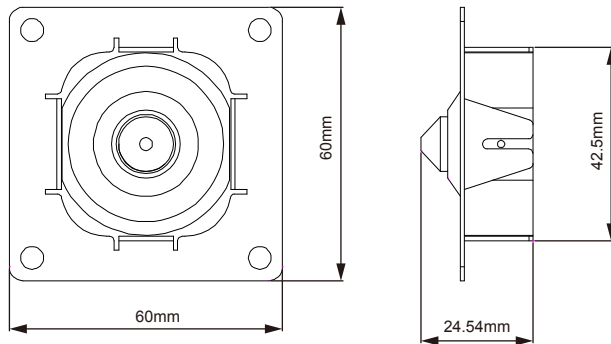
## HD CCTV 1080P Pinhole Camera



### ● FEATURES

- (1) 1/2.7" CMOS Sensor with 1080P video output
- (2) Low light sensitivity of 0.1 Lux / F2.0
- (3) External alarm I/O device connection
- (4) Camera parameters adjustable when used with AVTECH HD CCTV DVR

### ● DIMENSIONS\*



\*Dimensional Tolerance: ± 5mm

### ● SPECIFICATIONS\*

| MODEL                    | AVT1301  |
|--------------------------|--|
| Pick-up Element          | 1/ 2.7" CMOS image sensor                          |
| Number of Pixels         | 1930(H) x 1088(V)                                  |
| Video Frame Rate         | 1080P@30fps / 1080P@25fps                          |
| Min. Illumination        | 0.1 Lux / F2.0                                     |
| S/N Ratio                | More than 48dB (AGC OFF)                           |
| Shutter Speed            | 1/30 (1/25) sec ~ 1/720000 (1/600000) sec          |
| Lens                     | f4.3mm / F2.0                                      |
| Lens Angle               | 69° (Diagonal) / 37° (Horizontal) / 81° (Vertical) |
| IRIS Mode                | AES  |
| White Balance            | AUTO / USER / PUSH / 8000K / 6000K / 4200K / 3200K |
| AGC                      | Adjustable   |
| Sharpness                | Adjustable   |
| Flickerless              | 50HZ / 60HZ / OFF                                  |
| BLC                      | Adjustable   |
| External alarm I/O       | YES (1 input / 1 output)                           |
| Operating Temperature    | 0°C~40°C   |
| Operating Humidity       | 90% or less relative humidity                      |
| Power Source (±10%)      | DC12V / 0.5A                                       |
| Power Consumption (±10%) | 120mA  |
| Net Weight (kg)          | 0.13   |

\* The specifications are subject to change without notice.