

AVT2592L

HD CCTV 1080P

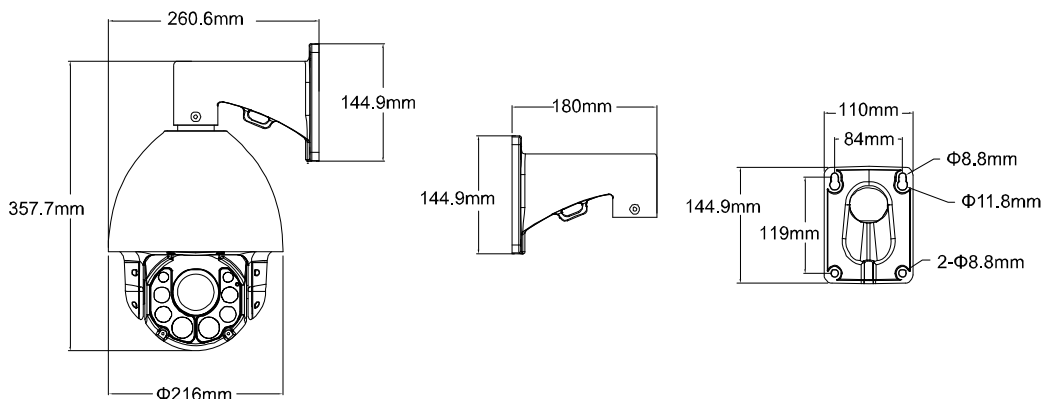
20X IR Speed Dome Camera



● FEATURES

- (1) 1/2.9" CMOS Sensor with 1080P video output
- (2) Zoom lens of f4.7 ~ 94mm with 20x optical zoom and auto focus, suitable for various monitoring environments
- (3) PTZ control for seamless monitoring
 - Capable of 360° pan rotation continuously, allowing quick and smooth action of the camera lens
 - Auto Tracking to follow moving objects
 - Up to 256 preset points & four sequence groups programmable for multiple points monitoring, and auto pan
- (4) DWDR to increase image recognizability in overexposure and dark areas
- (5) External alarm I/O device connection
- (6) IP66 for outdoor application
- (7) Camera parameters adjustable when used with AVTECH HD CCTV DVR
- (8) New IR technology adapted to enhance brightness at night as well as the effective distance of 200 meters or even more

● DIMENSIONS*



*Dimensional Tolerance: $\pm 5\text{mm}$

● SPECIFICATIONS*

■ General		■ General	
Pick-up Element	1/2.9" CMOS image sensor	RS-485	YES
Number of Pixels	1936(H) × 1096(V)	IP Rating	IP 66
Video Frame Rate	1080P@30fps / 1080P@25fps	Operating Temperature	-20°C ~ 50°C
Min. Illumination	0.1 Lux / F1.6 (Wide)~F3.5 (Tele), 0 Lux (IR LED ON)	Operating Humidity	90% or less relative humidity
S/N Ratio	More than 48dB (AGC OFF)	Power Source ($\pm 10\%$)	AC 24V / DC19V
Shutter Speed	1 / 60 (1/50) to 1 / 100,000 sec.	Power Consumption ($\pm 10\%$)	25 W
Lens	f4.7 ~ 94mm / F1.6 (Wide) ~ 3.5 (Tele)	Certification	CE
Lens Angle	1X	■ PTZ Mechanism	
	20X	Pan Range	360° continuous rotation
IR LED	8 units	Max. Pan Speed	180°/s
IR Effective Distance	Default: Up to 200 meters IR Turbo mode: More than 200 meters	Tilt Range	-6° ~ 90°
		Max. Tilt Speed	100°/s
IR Shift	YES	Zoom Ratio	20X Optical Zoom
IRIS Mode	YES	Max. Zoom Speed	Approx. 3s (Tele ~ Wide)
White Balance	Auto / 2500K / 3200K / 4200K / 5800K / 9500K	Preset Points	Up to 256 preset points
AGC	YES	Sequence Group	1. Up to four groups can be set 2. One group can include up to 16 preset points
Sharpness	YES	Auto Tracking	YES
DWDR	YES		
External alarm I/O	YES (1 input / 1 output)		