

DGC1105A

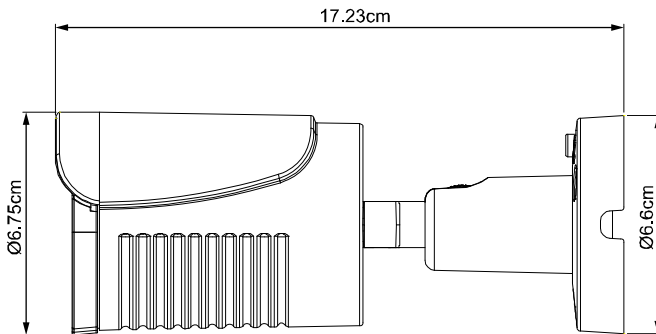
HD CCTV 1080P IR Bullet Camera



● FEATURES

- (1) 1/2.7" CMOS Sensor
- (2) 1080P video output
- (3) Low light sensitivity of 0.1 Lux / F1.8, 0Lux (IR LED ON)
- (4) Day and night 24-hour surveillance with IR effective distance up to 25 meters
- (5) IP66 for weather-proof application
- (6) Camera parameters adjustable when used with AVTECH HD CCTV DVR

● DIMENSIONS*



*Dimensional Tolerance: ± 5mm

● SPECIFICATIONS*

| MODEL | DGC1105A |
|----------------------------|---|
| Pick-up Element | 1/ 2.7" CMOS image sensor |
| Number of Pixels | 1930(H) x 1088(V) |
| Video Frame Rate | 1080P@30fps / 1080P@25fps |
| Min. Illumination | 0.1 Lux / F1.8, 0 Lux (IR LED ON) |
| S/N Ratio | More than 48dB (AGC OFF) |
| Shutter Speed | 1/30 (1/25) sec ~ 1/720000 (1/600000) sec |
| Lens | f3.6mm / F1.8 |
| Lens Angle | 96° (Horizontal) / 50° (Vertical) / 116° (Diagonal) |
| IR LED | 2 units |
| IR Effective Distance | Up to 25 meters |
| IR Shift | YES |
| Day & Night Mode | YES |
| IRIS Mode | AES |
| White Balance | AUTO / USER / PUSH / 8000K / 6000K / 4200K / 3200K |
| AGC | Adjustable |
| Sharpness | Adjustable |
| Flickerless | 50HZ / 60HZ / OFF |
| BLC | Adjustable |
| IP Rating | IP66 |
| Operating Temperature | -20°C ~ 40°C |
| Operating Humidity | 90% or less relative humidity |
| Power Source (±10%) | DC12V / 0.5A |
| Current Consumption (±10%) | 150mA (IR LED OFF); 365mA (IR LED ON) |
| Net weight (Kg) | 0.36 |

* The specifications are subject to change without notice.