

# DGC1204A

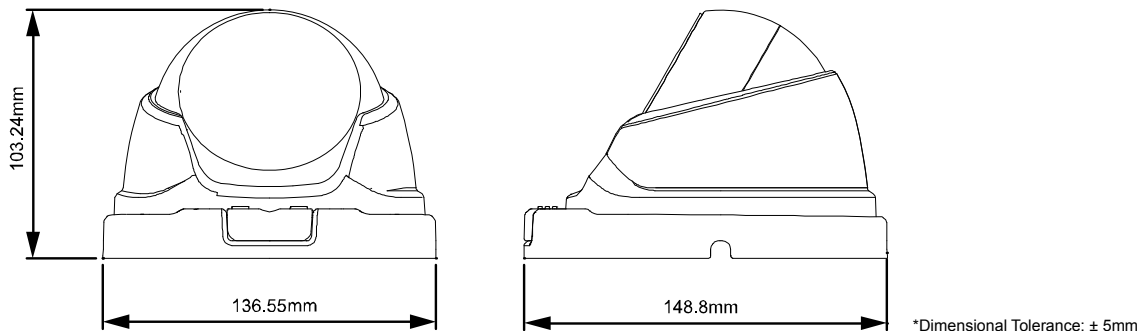
## HD CCTV 1080P IR Bullet Camera



### ● FEATURES

- (1) 1/2.7" CMOS Sensor with 1080P video output
- (2) Low light sensitivity of 0.1 Lux / F1.8, 0Lux (IR LED ON)
- (3) New IR technology adapted to enhance brightness performance at night
- (4) Day and night 24-hour surveillance with IR effective distance up to 30 meters
- (5) IP66 for weather-proof application
- (6) Camera parameters adjustable when used with AVTECH HD CCTV DVR

### ● DIMENSIONS\*



### ● SPECIFICATIONS\*

| MODEL                      | DGC1204A  |
|----------------------------|---|
| Pick-up Element            | 1/ 2.7" CMOS image sensor                           |
| Number of Pixels           | 1930(H) x 1088(V)                                   |
| Video Frame Rate           | 1080P@30fps / 1080P@25fps                           |
| Min. Illumination          | 0.1 Lux / F1.8, 0 Lux (IR LED ON)                   |
| S/N Ratio                  | More than 48dB (AGC OFF)                            |
| Shutter Speed              | 1/30 (1/25) sec ~ 1/720000 (1/600000) sec           |
| Lens                       | f3.6mm / F1.8                                       |
| Lens Angle                 | 96° (Horizontal) / 50° (Vertical) / 116° (Diagonal) |
| IR LED                     | 4 units   |
| IR Effective Distance      | Up to 30 meters                                     |
| IR Shift                   | YES   |
| Day & Night Mode           | YES   |
| IRIS Mode                  | AES   |
| White Balance              | AUTO / USER / PUSH / 8000K / 6000K / 4200K / 3200K  |
| AGC                        | Adjustable  |
| Sharpness                  | Adjustable  |
| Flickerless                | 50HZ / 60HZ / OFF                                   |
| BLC                        | Adjustable  |
| IP Rating                  | IP66  |
| Operating Temperature      | -25°C ~ 50°C  |
| Operating Humidity         | Less than 60% relative humidity                     |
| Power Source (±10%)        | DC12V / 1A  |
| Current Consumption (±10%) | 170 mA (IR LED OFF) / 400 mA (IR LED ON)            |
| Net Weight (kg)            | 0.75  |

\* The specifications are subject to change without notice.