

# DGC1304A

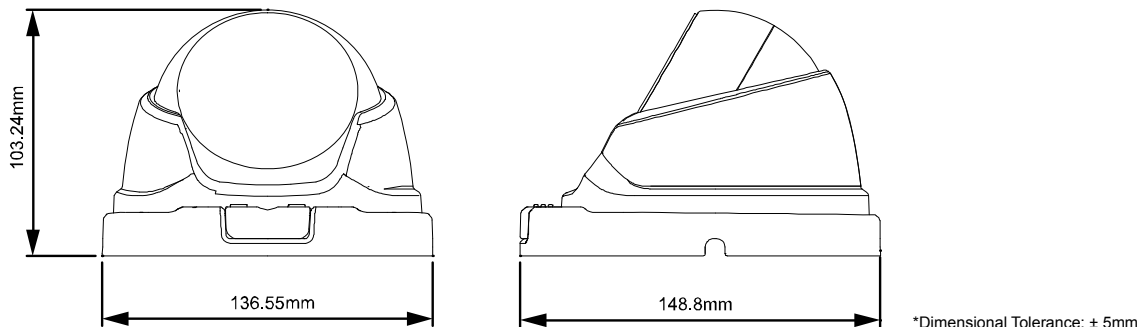
## HD CCTV 1080P IR Dome Camera



### ● FEATURES

- (1) 1/2.7" CMOS sensor with 1080P video output
- (2) Low light sensitivity of 0.1 Lux / F1.6(Wide)~F2.8(Tele), 0 Lux (IR LED ON)
- (3) EZUM series to support focus and camera parameters adjustment remotely from AVTECH HD CCTV DVR
- (4) Manual adjustment of the brightness of the IR LEDs
- (5) Day and night 24-hour surveillance with IR effective distance up to 50 meters
- (6) IP66 for weather-proof application
- (7) Camera parameters adjustable when used with AVTECH HD CCTV DVR

### ● DIMENSIONS\*



### ● SPECIFICATIONS\*

MODEL	DGC1304A
Pick-up Element	1/ 2.7" CMOS image sensor
Number of Pixels	1930(H) x 1088(V)
Video Frame Rate	1080P@30fps / 1080P@25fps
Min. Illumination	0.1 Lux / F1.6(Wide)~F2.8(Tele), 0 Lux (IR LED ON)
S/N Ratio	More than 48dB (AGC OFF)
Shutter Speed	1/30 (1/25) sec ~ 1/720000 (1/600000) sec
Lens	motorized f2.8 ~ f8.0mm / F1.6 ~ 2.8
Lens Angle	Wide: 104° (Horizontal) / 56° (Vertical) / 126° (Diagonal) Tele: 57° (Horizontal) / 32° (Vertical) / 65° (Diagonal)
IR LED	4 units
IR Effective Distance	Up to 50 meters
IR Shift	YES
Day & Night Mode	YES
IRIS Mode	AES
White Balance	AUTO / USER / PUSH / 8000K / 6000K / 4200K / 3200K
AGC	Adjustable
Sharpness	Adjustable
Flickerless	50HZ / 60HZ / OFF
BLC	Adjustable
IR Brightness Adjustment	YES
IP Rating	IP66
Operating Temperature	-25°C ~ 50°C
Operating Humidity	90% or less relative humidity
Power Source (±10%)	DC12V / 1A
Current Consumption (±10%)	200mA (IR LED OFF) / 600mA (IR LED ON)
Net Weight (kg)	0.75

\* The specifications are subject to change without notice.