

# DGC5105T

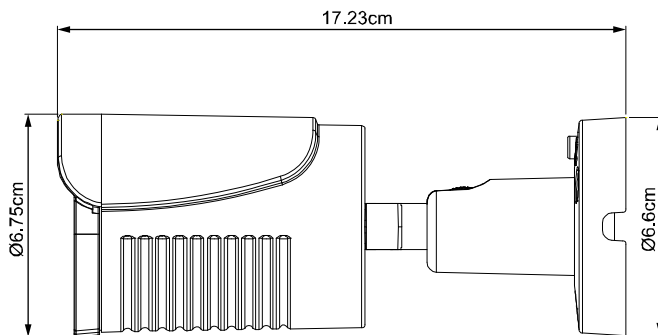
## Quadbrid 5MP IR Bullet Camera



### ● FEATURES

- (1) 1/2.5" CMOS Sensor with 5MP video output
- (2) Low light sensitivity of 0.1 Lux / F1.8, 0Lux (IR LED ON)
- (3) Quadbrid video output with TVI, CVI, AHD & CVBS to fulfill different customers' requirements
- (4) DWDR to increase image recognizability in overexposure and dark areas
- (5) Day and night 24-hour surveillance with IR effective distance up to 50 meters
- (6) IP66 for weather-proof application
- (7) Camera parameters adjustable when used with AVTECH HD CCTV DVR

### ● DIMENSIONS\*



\*Dimensional Tolerance: ± 5mm

### ● SPECIFICATIONS\*

MODEL	DGC5105T	
Video Mode	TVI, CVI, AHD & CVBS switchable	
Pick-up Element	1/ 2.5" CMOS image sensor	
Number of Pixels	2560 (H) x 1920 (V)	
Video Frame Rate	5MP @ 20fps	
Min. Illumination	0.1 Lux / F1.8, 0 Lux (IR LED ON)	
S/N Ratio	More than 48dB (AGC OFF)	
Shutter Speed	1/30 (1/25) sec ~ 1/ 60000 (1/ 50000) sec	
Lens	f3.6mm / F1.8	f2.8mm / F1.8
Lens Angle	96° (Horizontal) / 50° (Vertical) / 116° (Diagonal)	100° (Horizontal) / 52° (Vertical) / 121° (Diagonal)
IR LED	2 units	
IR Effective Distance	Up to 50 meters	
IR Shift	YES	
Day & Night Mode	YES	
Noise Reduction	YES	
IRIS Mode	AES	
White Balance	AUTO	
AGC	AUTO	
Sharpness	Adjustable	
Flickerless	50HZ / 60HZ / OFF	
BLC	Adjustable	
DWDR	YES	
IP Rating	IP66	
Operating Temperature	-20°C ~ 40°C	
Operating Humidity	90% or less relative humidity	
Power Source (±10%)	DC12V / 0.5A	
Current Consumption (±10%)	100mA (IR LED OFF); 240mA (IR LED ON)	
Net weight (Kg)	0.36	
Optional Junction Box	AVA456-WBKT	
Certification	CE	

\* The specifications are subject to change without notice.