

DGC5204AF

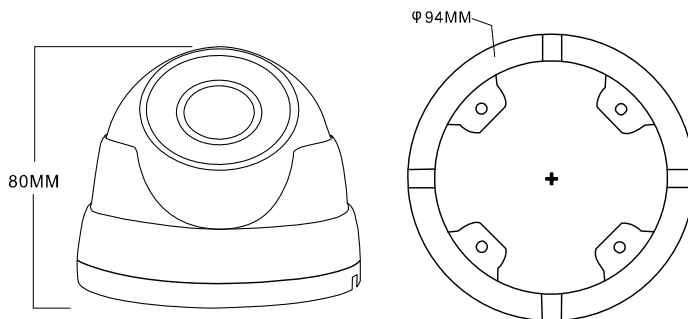
5MP 4-in-1 IR Dome Camera



● FEATURES

- (1) 1/2.5" CMOS Sensor with 5MP video output
- (2) Quadbrid video output with TVI, CVI, AHD & CVBS to fulfill different customers' requirements
- (3) Low light sensitivity of 0.01 Lux / F1.6, 0Lux (IR LED ON)
- (4) Microphone built-in for audio recording
- (5) D-WDR to increase image recognizability in overexposure and dark areas
- (6) Day and night 24-hour surveillance with IR effective distance to 25 meters
- (7) IP66 for weather-proof application
- (8) Camera parameters adjustable when used with AVTECH HD CCTV DVR

● DIMENSIONS*



*Dimensional Tolerance: ± 5mm

● SPECIFICATIONS*

MODEL	DGC5204AF
Video Mode	TVI, CVI, AHD & CVBS switchable
Pick-up Element	1/2.5" CMOS
Number of Pixels	2592(H)×1944(V)
Video Frame Rate	TVI/AHD: 20 fps@2560×1944P / CVI: 30 fps@2560×1440P
Min. Illumination	0.01Lux / F1.6 (AGC ON), 0 Lux (IR LED ON)
S/N Ratio	62dB
Shutter Speed	AUTO/Manual (1/25-1/50,000s)
Lens	f3.6mm/F1.6
Lens Angle	99.4° (Horizontal) / 50.7° (Vertical) / 118.7° (Diagonal)
IR LED	18 units
IR Effective Distance	25 meters
Day & Night Mode	Auto / Color / (B/W) / EXT
Microphone Built-in	YES (TVI Mode available)
Noise Reduction	2D NR
White Balance	ATW / Manual
AGC	YES
BLC	YES
WDR	D-WDR
Flip	YES
Mirror	YES
IP Rating	IP66
Operating Temperature	-20°C ~ 60°C
Operating Humidity	10% - 90%RH
Power Source (±10%)	DC12V
Power Consumption (±10%)	< 5W
Net Weight (g)	259
Optional Bracket / Junction Box	AVA126-WHKT / AVM552C-HBKT / AVM552C-HLKT

* The specifications are subject to change without notice.