

# DGC8206AT

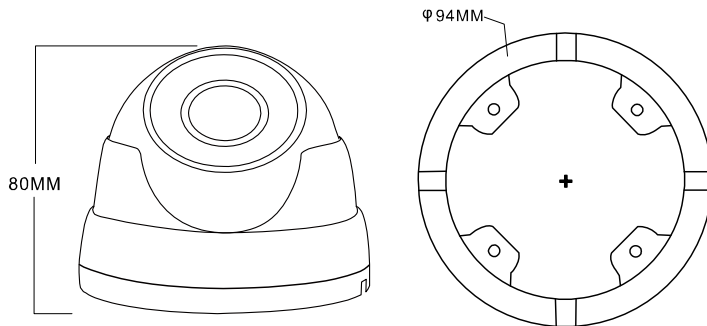
## 8MP Quadbrid IR Dome Camera



### ● FEATURES

- (1) 1/2.8" SONY CMOS Sensor with 8MP video output
- (2) Quadbrid video output with TVI, CVI, AHD & CVBS to fulfill different customers' requirements
- (3) Starlight visibility (0.001 Lux / F1.6) to offer clear & color images even at night
- (4) Microphone built-in for audio recording
- (5) WDR to increase image recognizability in overexposure and dark areas
- (6) Day and night 24-hour surveillance with IR effective distance up to 25 meters
- (7) IP66 for weather-proof application
- (8) Camera parameters adjustable when used with AVTECH HD CCTV DVR

### ● DIMENSIONS\*



\*Dimensional Tolerance: ± 5mm

### ● SPECIFICATIONS\*

MODEL	DGC8206AT
Video Mode	TVI, CVI, AHD & CVBS switchable
Pick-up Element	1/2.8" SONY CMOS
Number of Pixels	3840(H)×2160(V)
Video Frame Rate	NTSC: 8MP@15fps / PAL: 8MP@12.5fps
Min. Illumination	0.001Lux / F1.6 (AGC ON), 0 Lux (IR LED ON)
S/N Ratio	62dB
Shutter Speed	AUTO
Lens	f3.6mm/F1.6
Lens Angle	87.5° (Horizontal) / 44.4° (Vertical) / 104.9° (Diagonal)
IR LED	18 units
IR Effective Distance	25 meters
Day & Night Mode	Auto / Color / (B/W) / EXT
Microphone Built-in	YES (TVI Mode available)
Noise Reduction	2D NR
White Balance	ATW / Manual
AGC	YES
BLC	YES
WDR	YES
Flip	YES
Mirror	YES
IP Rating	IP66
Operating Temperature	-20°C ~ 60°C
Operating Humidity	10% - 90%RH
Power Source (±10%)	DC12V
Power Consumption (±10%)	< 5W
Net Weight (g)	259
Optional Bracket / Junction Box	AVA126-WHKT / AVM552C-HBKT / AVM552C-HLKT

\* The specifications are subject to change without notice.