

DGM8108SVWAT



8MP



H.265



Starlight



PoE



WDR

Human / Vehicle
DetectionFull Color
Monitoring

MIC built-in

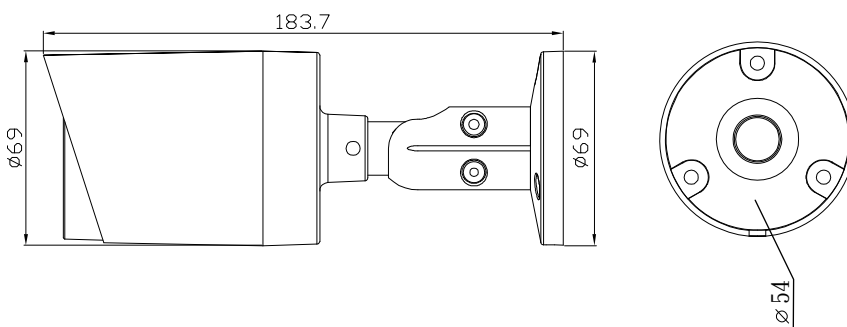
MicroSD Card
Recording

AI-based 8MP H.265 Full Color Bullet IP Camera

FEATURES

- **Starlight visibility** to offer clear & color images even at night
- **AI-based human / vehicle detection** supported to avoid false detection alarms
- **7/24 Full Color** monitoring to offer color images even at night / in the dark environment when any motion is detected
- MicroSD card support (up to 256GB) for **video storage**
- **ONVIF** standard supported to simplify system integration
- **POE (Power-over-Ethernet)** support to eliminate the use of power cables and reduce installation costs
- **Microphone built-in** for audio recording
- **WDR** to increase image recognizability in overexposure and dark areas
- **Remote Surveillance**
Compatible with **Internet Explorer 6** and above, **Microsoft Edge** & **Google Chrome**

DIMENSIONS

Dimensional tolerance: $\pm 5\text{mm}$

○ SPECIFICATIONS

■ Device

Image Sensor	1/2.8" SONY CMOS
Max. Resolution	3840 x 2160
Lens	f2.8mm / F1.0
Viewing Angle	112° (Diagonal)
Min Illumination	0.0001 Lux (LED off), 0 Lux (LED on)
Shutter Speed	AUTO, 1/25s ~ 1/100000s
LED	2 warm LED units
Effective Distance	Up to 30 meters
Day / Night	YES
WDR Mode	YES (120dB)
RTC (real-time clock)	YES
MicroSD Card Slot	YES (up to 256GB)

■ Video

Compression	H265 / H.264	
Video Resolution	Main Stream	8MP (3840x2160) / 6MP (3072x2048) / 5MP (2592x1944) / 4MP (2560x1440) / 3MP (2304x1296) / 2MP (1080P) / 720P
	Sub Stream	2MP (1080P) / 720P / 720x480 / VGA / 640x360 / 480x360 / CIF
Frame Rate	4K (8MP) @ 20FPS	
Video Profile	High profile / Main profile / Base profile	
Multiple Video Streaming	3 streams	
Bitrate Control	512Kbps - 12Mbps, VBR/CBR	
Image Enhancement	WDR / BLC / HLC / 2D DNR / 3D DNR / AWB / MWB / AGC	
Day / Night Switch	Auto / Color / (B/W) / Timing	
Forced Anti-flicker	YES	
Defog	YES	
White Balance	Auto / Manual	
Image Orientation	Rotate / Mirror	
Privacy Mask	YES	
Text Overlay	YES	
OSD Title	Location / font size / text configurable; text input (English & Chinese characters) and image upload (BMP) supported	

■ Audio

Microphone built-in	YES
Encoding	G.711-u / G.711-a
Audio Adjustment	YES

■ Alarm & Event

Detection Mode	Motion / Human / Vehicle Detection
Detection Schedule	YES
Motion Detection Area	1x1, 2x2, 3x2, 3x3, 4x3, 4x4, 8x8, 16x16, 22x18

*The specifications are subject to change without notice.

○ SPECIFICATIONS (CONTINUED)

■ Storage

On-Board Storage	Built-in memory card slot, supports microSD / SDHC / SDXC card up to 256GB
Overwrite	YES
Maximum Recoding Time / per File	1, 2, 3, 5, 10, 20 & 30 minutes configurable
Recording Schedule	YES

■ Network

LAN Port	RJ45 connector x 1 / 4KV lightning-proof
LAN Speed	100Mbps Based-T Ethernet
Supported Protocols	HTTP / RTSP / FTP / SMTP / DHCP / NTP / NFS / RTMP
ONVIF Compatible	Onvif 17.06 compatible
Number of Online Users	6
Remote Access	Internet Explorer 6 and above (recommended), Microsoft Edge & Google Chrome

■ General

Web Interface Language	English, Traditional Chinese, Simplified Chinese, Russian, German, Italian, Turkish, Korean
Operating Temperature	-30°C ~ 60°C
Operating Humidity	10%-90%RH
POE	IEEE 802.3af
Power Source (±10%)	PoE / DC12V
Power Consumption (±10%)	< 8 W
Net Weight (g)	518.5
Casing	IP67
Optional Bracket / Junction Box	AVA126-WHKT / AVA156-WHKT
Minimum Web Browsing Requirements	<ul style="list-style-type: none"> • Intel core i3 or higher, or equivalent AMD • 2GB RAM • AGP graphics card, Direct Draw, 32MB RAM • Windows 10, Windows 8, Windows 7, DirectX 9.0 or later • Internet Explorer 6 and above (recommended), Microsoft Edge & Google Chrome

*The specifications are subject to change without notice.