



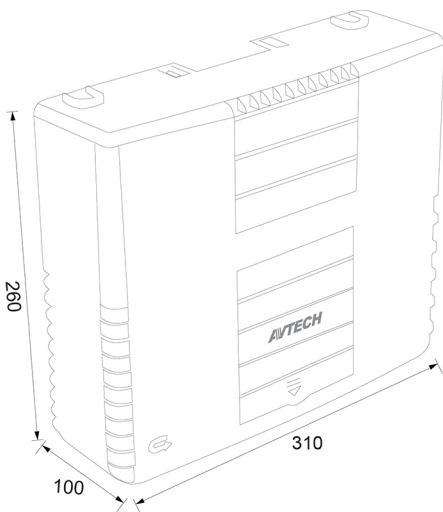
# DGS8221GE

8xGE (PoE) + 2xGE (UP-LINK) + 2xSFP  
Outdoor Water-Resistant PoE Switch

## FEATURES

- AI Watchdog Function
- 6KV Lightning & 8KV ESD Protection
- bt 60W High Power Support
- Water-resistant outdoor use with IP65

## DIMENSIONS



## SPECIFICATIONS

<b>Ports</b>	<p><b>PoE (1~6):</b> 10/100/1000Mbps PoE ports (RJ45)</p> <p><b>PoE (7~8):</b> 10/100/1000Mbps PoE ports (RJ45), Supports bt 60W High Power</p> <p><b>LAN (1~2):</b> 10/100/1000Mbps uplink ports (RJ45)</p> <p><b>SFP (1~2):</b> 10/100/1000Mbps SFP ports</p>
<b>Transmission Rate</b>	2000Mbps Full Duplex; 10 or 100 or 1000 Mbps Half Duplex
<b>Transmission Distance</b>	130m
<b>Performance Specifications</b>	<p><b>Bandwidth:</b> 24Gbps</p> <p><b>Network Latency (10 to 1000Mbps):</b> ≤ 16 μs (use the 64byte package size)</p> <p><b>MAC address table:</b> 8K</p> <p><b>The Frame Filter &amp; Transmission Rate:</b> 14800pps the most for 10M port, 148800pps the most for 100M port; 1488000pps the most for 1000M port</p>
<b>Networking Standard</b>	<p>IEEE 802.3i 10BASE-T/IEEE 802.3u 100BASE-TX</p> <p>IEEE 802.3ab 1000BASE-T</p> <p>IEEE 802.3x Flow Control</p> <p>IEEE 802.3af/at/bt Power over Ethernet</p>
<b>Power Support</b>	<p><b>Power Input:</b> AC 90~240V Total ≤ 120W</p> <p><b>AI Watchdog:</b> Port 1~8</p> <p><b>Power Output:</b> PoE1~6 Port: 1/2 (+52V), 3/6(GND) ≤ 30W PoE 7~8 Port: 1245 (+53V), 3678 (GND) Compatible 1/2 (+52V), 3/6 (GND) ≤ 60W</p>
<b>Protection Level</b>	<p><b>Lightning Protection:</b> 6KV</p> <p><b>ESD Protection:</b> 8KV</p>
<b>Dimensions (mm)</b>	310 * 260 * 100
<b>Net Weight (kg)</b>	1.6
<b>Working Environment</b>	<p><b>Operating Temperature:</b> -30°C~60°C</p> <p><b>Storage Temperature:</b> -40°C~70°C</p> <p><b>Operating Humidity:</b> 10%~90% Non-condensing</p> <p><b>Storage Humidity:</b> 5%~90% Non-condensing</p>
<b>Package Content</b>	AC Power Cable, User Manual